

DOLPHIN VL 0100–0270 A

Continuous Flow

Liquid ring vacuum pump units



Discover all advantages of the product series DOLPHIN VL

Robust

Proven technology, reliable operation, corrosion-free stainless steel impeller, extremely high vapor and particle tolerance, automatic solenoid valve for control of operating fluid flow from main supply

All-in-One

Unit with base frame, operating fluid separator, control system, including inlet check valve, fresh liquid supply kit, level indicator (ATEX only), temperature sensor (ATEX only) and pressure indicators and cavitation protection

Flexible

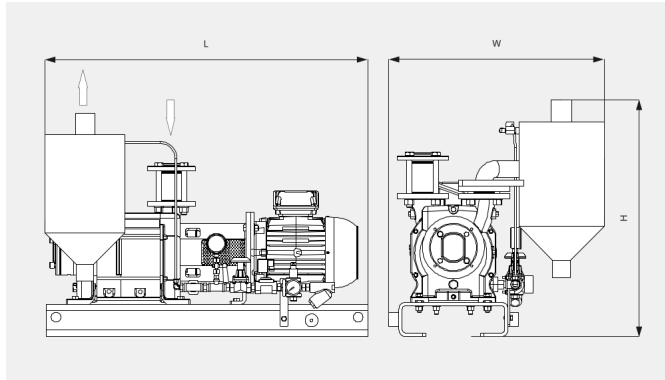
Choice of cast iron (EN-GJL-200) or 316 grade stainless steel material housings, ATEX-certified version available (Cat. 1 (i/o) IIB, T4), operating fluids other than water possible

DOLPHIN VL 0100–0270 A

Continuous Flow

Liquid ring vacuum pump units

Dimensional drawing



The following technical values refer to ISO 50 Hz

	DOLPHIN VL 0100 A Continuous Flow	DOLPHIN VL 0180 A Continuous Flow	DOLPHIN VL 0270 A Continuous Flow
Nominal pumping speed	82 m ³ /h	144 m ³ /h	220 m ³ /h
Ultimate pressure	130 hPa (mbar)	130 hPa (mbar)	130 hPa (mbar)
Nominal motor rating	2.2 kW	4.0 kW	5.5 kW
Weight approx. ATEX	199 kg	222 kg	268 kg
Weight approx. Safe Area	183 kg	187 kg	229 kg
Dimensions (L x W x H) ATEX	924 x 724 x 788 mm	994 x 724 x 788 mm	1112 x 724 x 788 mm
Dimensions (L x W x H) Safe Area	855 x 632 x 687 mm	900 x 632 x 687 mm	1008 x 632 x 687 mm
Gas inlet	G 1½"	G 1½"	G 1½"
Gas outlet	R 2"	R 2"	R 2"

The following technical values refer to ISO 60 Hz

	DOLPHIN VL 0100 A Continuous Flow	DOLPHIN VL 0180 A Continuous Flow	DOLPHIN VL 0270 A Continuous Flow
Nominal pumping speed	98 m ³ /h	180 m ³ /h	267 m ³ /h
Ultimate pressure	130 hPa (mbar)	130 hPa (mbar)	130 hPa (mbar)
Nominal motor rating	3.0 kW	5.5 kW	7.5 kW
Weight approx. ATEX	199 kg	222 kg	268 kg
Weight approx. Safe Area	183 kg	187 kg	229 kg

DOLPHIN VL 0100–0270 A Continuous Flow

Liquid ring vacuum pump units



	DOLPHIN VL 0100 A Continuous Flow	DOLPHIN VL 0180 A Continuous Flow	DOLPHIN VL 0270 A Continuous Flow
Dimensions (L x W x H) ATEX	924 x 724 x 788 mm	994 x 724 x 788 mm	1112 x 724 x 788 mm
Dimensions (L x W x H) Safe Area	855 x 632 x 687 mm	900 x 632 x 687 mm	1008 x 632 x 687 mm
Gas inlet	G 1½"	G 1½"	G 1½"
Gas outlet	R 2"	R 2"	R 2"

DO YOU WANT TO KNOW MORE

Please contact us!
sales@busch.co.nz or +64 (0)800 428 724



CONTACT FORM



CALL US NOW