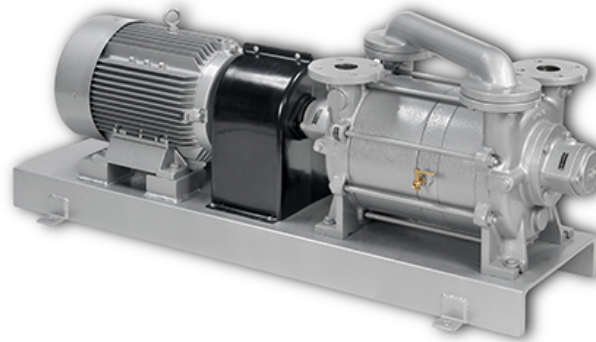


# DOLPHIN LB 3809/4409 A

Liquid ring vacuum pumps



VACUUM SOLUTIONS



Discover all advantages of  
the product series DOLPHIN  
LB

## Robust

Proven technology, durable two-stage construction

## Reliable

Extremely high vapor and particle tolerance

## Flexible

Wide range of construction materials, including cast iron (EN-GJL-200), many grades of stainless steel and even titanium, ATEX-certified version available (Cat 1(i)/2(o) IIC T5), operating fluids other than water possible, operation as compressor possible

### Accessories

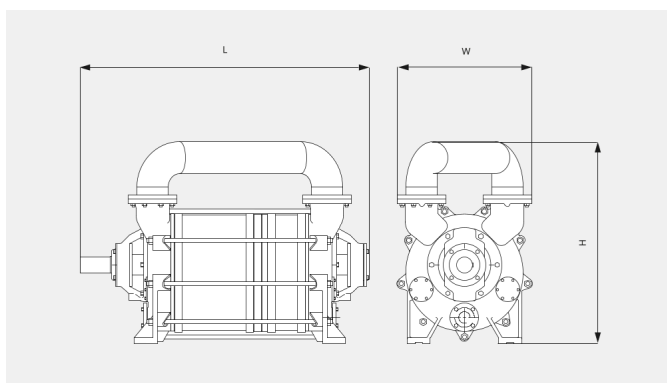
- Partial or total recirculation systems
- Liquid separator
- Cavitation protection
- Heat exchanger
- Gas ejector
- Wide selection of motors
- Non-return valves
- Vacuum relief valves

# DOLPHIN LB 3809/4409 A

Liquid ring vacuum pumps

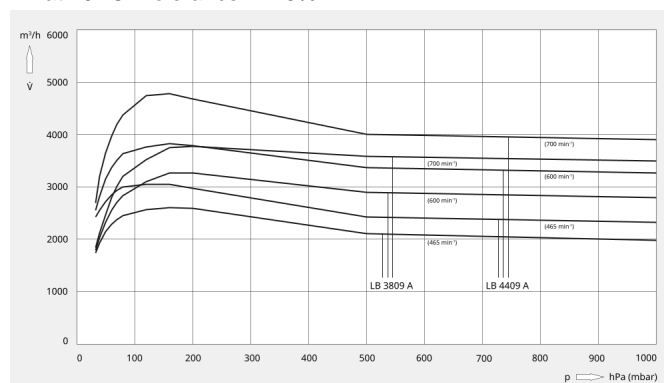


## Dimensional drawing



## Pumping speed

Air at 20 °C. Tolerance: ± 10%



The following technical values refer to ISO 50 Hz

	DOLPHIN LB 3809 A	DOLPHIN LB 4409 A
Nominal pumping speed	2500 – 3800 m³/h	2600 – 4400 m³/h
Ultimate pressure	33 hPa (mbar)	33 hPa (mbar)
Max. overpressure	2 bar(g)	2 bar(g)
Nominal motor rating	90 – 150 kW	90 – 185 kW
Nominal motor speed	465 – 700 min <sup>-1</sup>	465 – 700 min <sup>-1</sup>
Noise level (ISO 2151)	85 dB(A)	85 dB(A)
Weight approx.	2200 kg	2340 kg
Dimensions (L x W x H)	2025 x 950 x 1410 mm	2150 x 950 x 1410 mm
Gas inlet	DN 200 PN 10	DN 200 PN 10
Gas outlet	DN 200 PN 10	DN 200 PN 10

The following technical values refer to ISO 60 Hz

	DOLPHIN LB 3809 A	DOLPHIN LB 4409 A
Nominal pumping speed	2500 – 3800 m³/h	2600 – 4400 m³/h
Ultimate pressure	33 hPa (mbar)	33 hPa (mbar)
Max. overpressure	2 bar(g)	2 bar(g)
Nominal motor rating	90 – 150 kW	90 – 185 kW

# DOLPHIN LB 3809/4409 A

Liquid ring vacuum pumps



	DOLPHIN LB 3809 A	DOLPHIN LB 4409 A
<b>Nominal motor speed</b>	465 – 700 min <sup>-1</sup>	465 – 700 min <sup>-1</sup>
<b>Noise level (ISO 2151)</b>	85 dB(A)	85 dB(A)
<b>Weight approx.</b>	2200 kg	2340 kg
<b>Dimensions (L x W x H)</b>	2025 x 950 x 1410 mm	2150 x 950 x 1410 mm
<b>Gas inlet</b>	DN 200 PN 10	DN 200 PN 10
<b>Gas outlet</b>	DN 200 PN 10	DN 200 PN 10

**DO YOU WANT TO KNOW MORE**

Please contact us!  
sales@busch.co.nz or +64 (0)800 428 724



CONTACT FORM



CALL US NOW