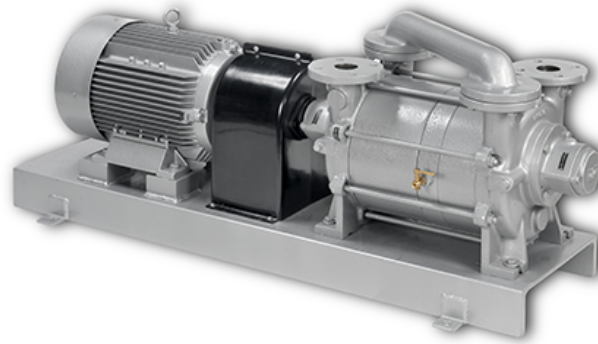


DOLPHIN LB 0063–0184 A

Liquid ring vacuum pumps



VACUUM SOLUTIONS



Discover all advantages of
the product series DOLPHIN
LB

Robust

Proven technology, durable two-stage construction

Reliable

Extremely high vapor and particle tolerance

Flexible

Wide range of construction materials, including cast iron (EN-GJL-200), many grades of stainless steel and even titanium, ATEX-certified version available (Cat 1(i)/2(o) IIC T5), operating fluids other than water possible, operation as compressor possible

Accessories

- Partial or total recirculation systems
- Liquid separator
- Cavitation protection
- Heat exchanger
- Gas ejector
- Wide selection of motors
- Non-return valves
- Vacuum relief valves

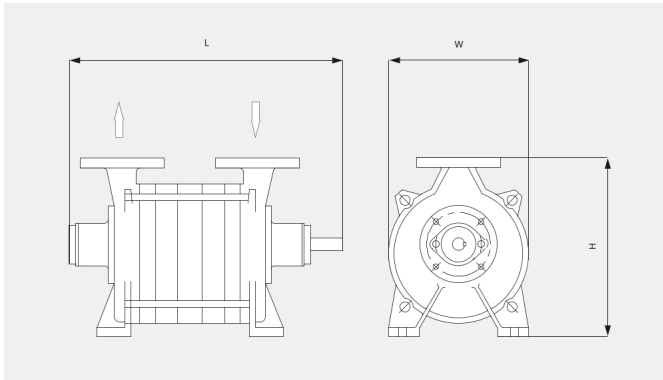
DOLPHIN LB 0063–0184 A

Liquid ring vacuum pumps



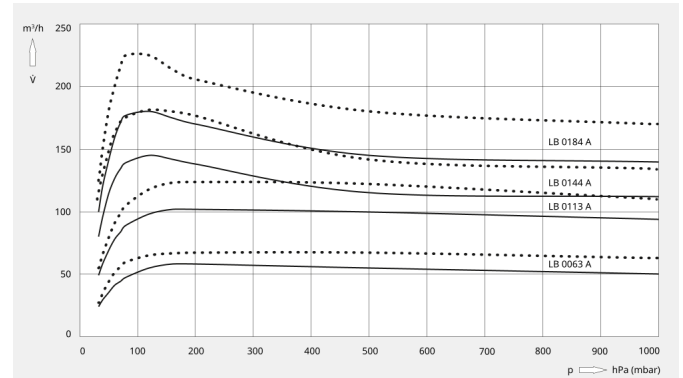
VACUUM SOLUTIONS

Dimensional drawing



Pumping speed

Air at 20 °C. Tolerance: ± 10%



The following technical values refer to ISO 50 Hz

	DOLPHIN LB 0063 A	DOLPHIN LB 0113 A	DOLPHIN LB 0144 A	DOLPHIN LB 0184 A
Nominal pumping speed	60 m³/h	110 m³/h	140 m³/h	180 m³/h
Ultimate pressure	33 hPa (mbar)	33 hPa (mbar)	33 hPa (mbar)	33 hPa (mbar)
Max. overpressure	2 bar(g)	2 bar(g)	2 bar(g)	2 bar(g)
Nominal motor rating	3 kW	4 kW	4 kW	5.5 kW
Nominal motor speed	1450 min ⁻¹	1450 min ⁻¹	1450 min ⁻¹	1450 min ⁻¹
Noise level (ISO 2151)	72 dB(A)	72 dB(A)	72 dB(A)	72 dB(A)
Weight approx.	77 kg	78 kg	103 kg	119 kg
Dimensions (L x W x H)	489 x 250 x 320 mm	529 x 250 x 320 mm	596 x 270 x 405 mm	656 x 270 x 405 mm
Gas inlet	DN 40 PN 10	DN 40 PN 10	DN 40 PN 10	DN 40 PN 10
Gas outlet	DN 40 PN 10	DN 40 PN 10	DN 40 PN 10	DN 40 PN 10

The following technical values refer to ISO 60 Hz

	DOLPHIN LB 0063 A	DOLPHIN LB 0113 A	DOLPHIN LB 0144 A	DOLPHIN LB 0184 A
Nominal pumping speed	65 m³/h	120 m³/h	180 m³/h	225 m³/h
Ultimate pressure	33 hPa (mbar)	33 hPa (mbar)	33 hPa (mbar)	33 hPa (mbar)
Max. overpressure	2 bar(g)	2 bar(g)	2 bar(g)	2 bar(g)
Nominal motor rating	4 kW	4 kW	5.5 kW	7.5 kW

DOLPHIN LB 0063–0184 A

Liquid ring vacuum pumps



	DOLPHIN LB 0063 A	DOLPHIN LB 0113 A	DOLPHIN LB 0144 A	DOLPHIN LB 0184 A
Nominal motor speed	1750 min ⁻¹	1750 min ⁻¹	1750 min ⁻¹	1750 min ⁻¹
Noise level (ISO 2151)	72 dB(A)	72 dB(A)	72 dB(A)	72 dB(A)
Weight approx.	77 kg	78 kg	103 kg	119 kg
Dimensions (L x W x H)	664 x 250 x 320 mm	704 x 250 x 320 mm	762 x 270 x 405 mm	822 x 270 x 405 mm
Gas inlet	DN 40 PN 10	DN 40 PN 10	DN 40 PN 10	DN 40 PN 10
Gas outlet	DN 40 PN 10	DN 40 PN 10	DN 40 PN 10	DN 40 PN 10

DO YOU WANT TO KNOW MORE

Please contact us!
sales@busch.co.nz or +64 (0)800 428 724



CONTACT FORM



CALL US NOW