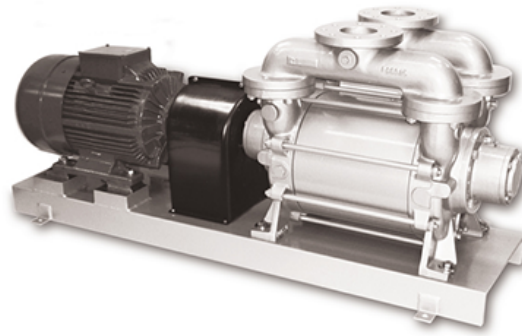


# DOLPHIN LA 1157–1807 A

Liquid ring vacuum pumps



VACUUM SOLUTIONS



Discover all advantages of the product series DOLPHIN LA

## Robust

Proven technology, durable single-stage construction

## Reliable

Extremely high vapor and particle tolerance

## Flexible

Wide range of construction materials, including cast iron (EN-GJL-200), many grades of stainless steel and even titanium, ATEX-certified version available (Cat 1(i)/2(o) IIC T5), different operating fluids possible, operation as compressor possible

### Accessories

- Partial or total recirculation systems
- Liquid separator
- Cavitation protection
- Heat exchanger
- Gas ejector
- Wide selection of motors
- Non-return valves
- Vacuum relief valves

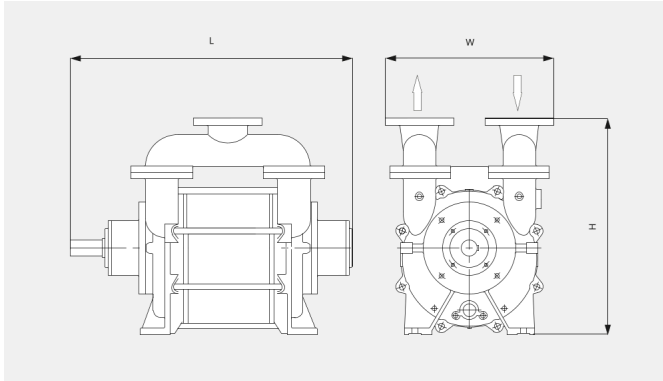
# DOLPHIN LA 1157–1807 A

Liquid ring vacuum pumps



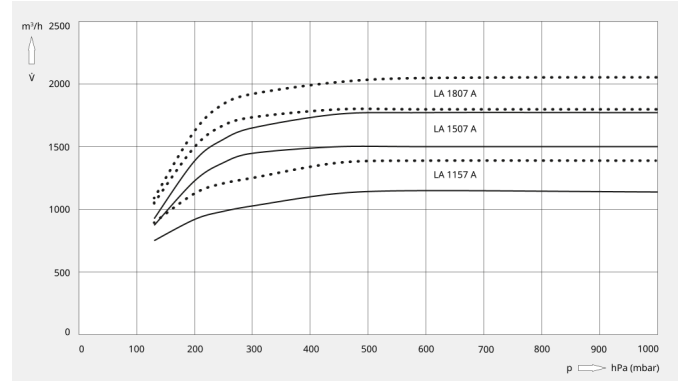
VACUUM SOLUTIONS

## Dimensional drawing



## Pumping speed

Air at 20 °C. Tolerance: ± 10%



The following technical values refer to ISO 50 Hz

	DOLPHIN LA 1157 A	DOLPHIN LA 1507 A	DOLPHIN LA 1807 A
<b>Nominal pumping speed</b>	1150 m³/h	1500 m³/h	1800 m³/h
<b>Ultimate pressure</b>	130 hPa (mbar)	130 hPa (mbar)	130 hPa (mbar)
<b>Max. overpressure</b>	2 bar(g)	2 bar(g)	2 bar(g)
<b>Nominal motor rating</b>	30 kW	45 kW	50 kW
<b>Nominal motor speed</b>	980 min <sup>-1</sup>	980 min <sup>-1</sup>	980 min <sup>-1</sup>
<b>Noise level (ISO 2151)</b>	77 dB(A)	77 dB(A)	77 dB(A)
<b>Weight approx.</b>	575 kg	638 kg	701 kg
<b>Dimensions (L x W x H)</b>	1046 x 480 x 800 mm	1146 x 480 x 800 mm	1246 x 480 x 800 mm
<b>Gas inlet</b>	DN 125 PN 10	DN 125 PN 10	DN 125 PN 10
<b>Gas outlet</b>	DN 125 PN 10	DN 125 PN 10	DN 125 PN 10

The following technical values refer to ISO 60 Hz

	DOLPHIN LA 1157 A	DOLPHIN LA 1507 A	DOLPHIN LA 1807 A
<b>Nominal pumping speed</b>	1380 m³/h	1800 m³/h	2050 m³/h
<b>Ultimate pressure</b>	130 hPa (mbar)	130 hPa (mbar)	130 hPa (mbar)
<b>Max. overpressure</b>	2 bar(g)	2 bar(g)	2 bar(g)
<b>Nominal motor rating</b>	45 kW	55 kW	75 kW

# DOLPHIN LA 1157–1807 A

Liquid ring vacuum pumps



	DOLPHIN LA 1157 A	DOLPHIN LA 1507 A	DOLPHIN LA 1807 A
<b>Nominal motor speed</b>	1150 min <sup>-1</sup>	1150 min <sup>-1</sup>	1150 min <sup>-1</sup>
<b>Noise level (ISO 2151)</b>	77 dB(A)	77 dB(A)	77 dB(A)
<b>Weight approx.</b>	575 kg	638 kg	701 kg
<b>Dimensions (L x W x H)</b>	1231 x 480 x 800 mm	1331 x 480 x 800 mm	1431 x 480 x 800 mm
<b>Gas inlet</b>	DN 125 PN 10	DN 125 PN 10	DN 125 PN 10
<b>Gas outlet</b>	DN 125 PN 10	DN 125 PN 10	DN 125 PN 10

**DO YOU WANT TO KNOW MORE**

Please contact us!  
sales@busch.co.nz or +64 (0)800 428 724



CONTACT FORM



CALL US NOW