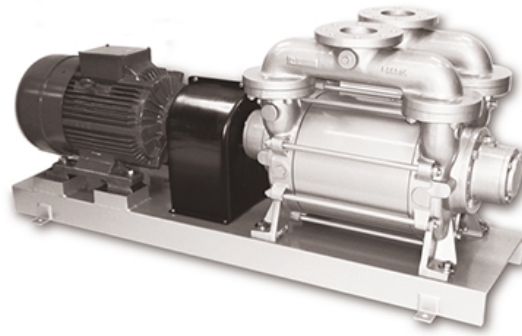


# DOLPHIN LA 0756/0906 A

Liquid ring vacuum pumps



VACUUM SOLUTIONS



Discover all advantages of the product series DOLPHIN LA

## Robust

Proven technology, durable single-stage construction

## Reliable

Extremely high vapor and particle tolerance

## Flexible

Wide range of construction materials, including cast iron (EN-GJL-200), many grades of stainless steel and even titanium, ATEX-certified version available (Cat 1(i)/2(o) IIC T5), different operating fluids possible, operation as compressor possible

### Accessories

- Partial or total recirculation systems
- Liquid separator
- Cavitation protection
- Heat exchanger
- Gas ejector
- Wide selection of motors
- Non-return valves
- Vacuum relief valves

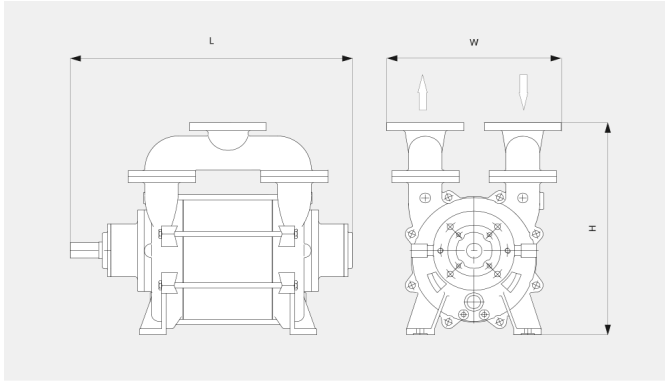
# DOLPHIN LA 0756/0906 A

Liquid ring vacuum pumps



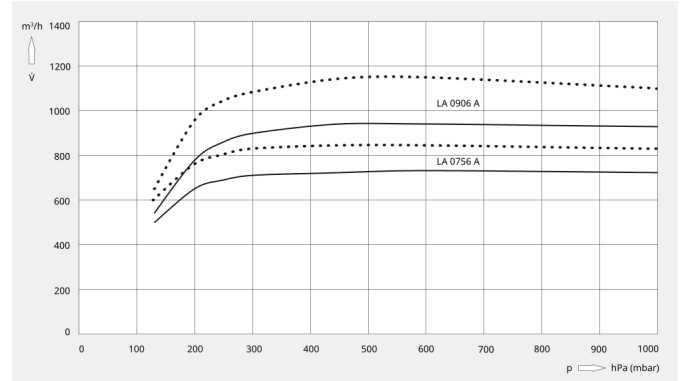
VACUUM SOLUTIONS

## Dimensional drawing



## Pumping speed

Air at 20 °C. Tolerance: ± 10%



The following technical values refer to ISO 50 Hz

	DOLPHIN LA 0756 A	DOLPHIN LA 0906 A
Nominal pumping speed	750 m³/h	900 m³/h
Ultimate pressure	130 hPa (mbar)	130 hPa (mbar)
Max. overpressure	2 bar(g)	2 bar(g)
Nominal motor rating	22 kW	30 kW
Nominal motor speed	1450 min <sup>-1</sup>	1450 min <sup>-1</sup>
Noise level (ISO 2151)	75 dB(A)	75 dB(A)
Weight approx.	306 kg	338 kg
Dimensions (L x W x H)	840 x 400 x 630 mm	920 x 400 x 630 mm
Gas inlet	DN 100 PN 10	DN 100 PN 10
Gas outlet	DN 100 PN 10	DN 100 PN 10

The following technical values refer to ISO 60 Hz

	DOLPHIN LA 0756 A	DOLPHIN LA 0906 A
Nominal pumping speed	840 m³/h	1100 m³/h
Ultimate pressure	130 hPa (mbar)	130 hPa (mbar)
Max. overpressure	2 bar(g)	2 bar(g)
Nominal motor rating	30 kW	37 kW

# DOLPHIN LA 0756/0906 A

Liquid ring vacuum pumps



	DOLPHIN LA 0756 A	DOLPHIN LA 0906 A
<b>Nominal motor speed</b>	1750 min <sup>-1</sup>	1750 min <sup>-1</sup>
<b>Noise level (ISO 2151)</b>	75 dB(A)	75 dB(A)
<b>Weight approx.</b>	306 kg	338 kg
<b>Dimensions (L x W x H)</b>	1000 x 400 x 630 mm	1080 x 400 x 630 mm
<b>Gas inlet</b>	DN 100 PN 10	DN 100 PN 10
<b>Gas outlet</b>	DN 100 PN 10	DN 100 PN 10

**DO YOU WANT TO KNOW MORE**

Please contact us!  
sales@busch.co.nz or +64 (0)800 428 724



CONTACT FORM



CALL US NOW