

DOLPHIN LA 0053–0143 A

Liquid ring vacuum pumps



VACUUM SOLUTIONS



Discover all advantages of
the product series DOLPHIN
LA

Robust

Proven technology, durable single-stage construction

Reliable

Extremely high vapor and particle tolerance

Flexible

Wide range of construction materials, including cast iron (EN-GJL-200), many grades of stainless steel and even titanium, ATEX-certified version available (Cat 1(i)/2(o) IIC T5), different operating fluids possible, operation as compressor possible

Accessories

- Partial or total recirculation systems
- Liquid separator
- Cavitation protection
- Heat exchanger
- Gas ejector
- Wide selection of motors
- Non-return valves
- Vacuum relief valves

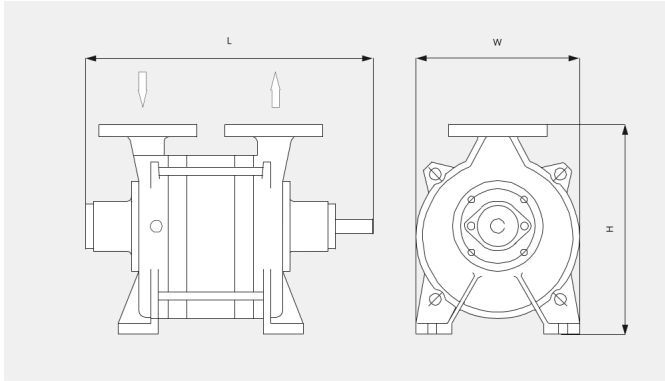
DOLPHIN LA 0053–0143 A

Liquid ring vacuum pumps



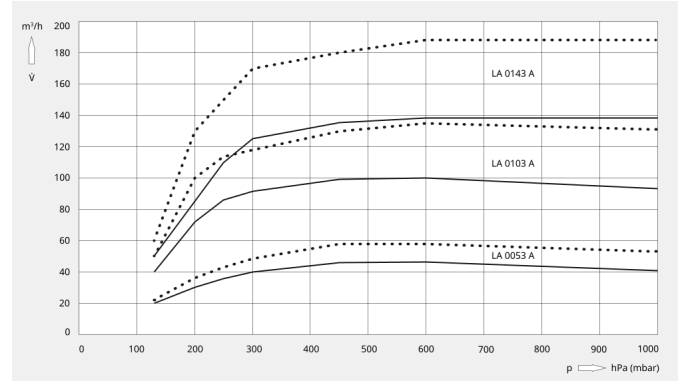
VACUUM SOLUTIONS

Dimensional drawing



Pumping speed

Air at 20 °C. Tolerance: ± 10%



The following technical values refer to ISO 50 Hz

	DOLPHIN LA 0053 A	DOLPHIN LA 0103 A	DOLPHIN LA 0143 A
Nominal pumping speed	50 m³/h	100 m³/h	140 m³/h
Ultimate pressure	130 hPa (mbar)	130 hPa (mbar)	130 hPa (mbar)
Max. overpressure	2 bar(g)	2 bar(g)	2 bar(g)
Nominal motor rating	1.5 kW	4 kW	4 kW
Nominal motor speed	1450 min ⁻¹	1450 min ⁻¹	1450 min ⁻¹
Noise level (ISO 2151)	72 dB(A)	72 dB(A)	72 dB(A)
Weight approx.	47 kg	52 kg	57 kg
Dimensions (L x W x H)	399 x 250 x 320 mm	439 x 250 x 320 mm	479 x 250 x 320 mm
Gas inlet	DN 40 PN 10	DN 40 PN 10	DN 40 PN 10
Gas outlet	DN 40 PN 10	DN 40 PN 10	DN 40 PN 10

The following technical values refer to ISO 60 Hz

	DOLPHIN LA 0053 A	DOLPHIN LA 0103 A	DOLPHIN LA 0143 A
Nominal pumping speed	60 m³/h	135 m³/h	190 m³/h
Ultimate pressure	130 hPa (mbar)	130 hPa (mbar)	130 hPa (mbar)
Max. overpressure	2 bar(g)	2 bar(g)	2 bar(g)
Nominal motor rating	2.2 kW	4 kW	5.5 kW

DOLPHIN LA 0053–0143 A

Liquid ring vacuum pumps



	DOLPHIN LA 0053 A	DOLPHIN LA 0103 A	DOLPHIN LA 0143 A
Nominal motor speed	1750 min ⁻¹	1750 min ⁻¹	1750 min ⁻¹
Noise level (ISO 2151)	72 dB(A)	72 dB(A)	72 dB(A)
Weight approx.	47 kg	52 kg	57 kg
Dimensions (L x W x H)	574 x 250 x 320 mm	614 x 250 x 320 mm	654 x 250 x 320 mm
Gas inlet	DN 40 PN 10	DN 40 PN 10	DN 40 PN 10
Gas outlet	DN 40 PN 10	DN 40 PN 10	DN 40 PN 10

DO YOU WANT TO KNOW MORE

Please contact us!
sales@busch.co.nz or +64 (0)800 428 724



CONTACT FORM



CALL US NOW