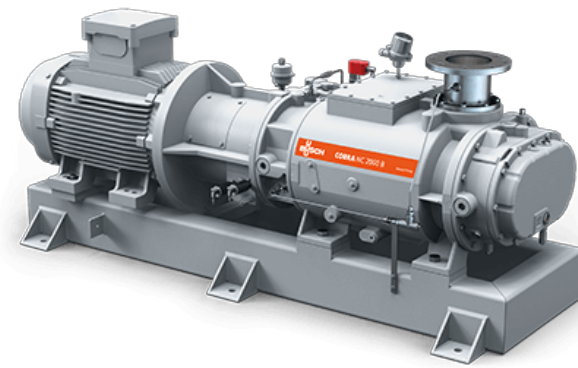


COBRA NC 0630–2000 B/C VR

Dry screw vacuum pumps



Discover all advantages of
the product series COBRA
NC

High performance

Advanced screw design, patented self-balancing screws

Efficient

Low cost of ownership, minimal maintenance, long service intervals, high uptime

ATEX-certified

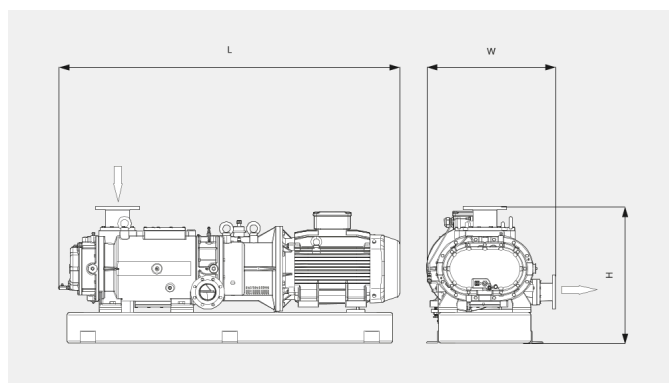
Low gas temperatures within the compression chamber, special cooling system for the extraction of petrol vapor, perfectly suited for the stage I recovery of petrol and other hydrocarbon vapors in the petrochemical industry

COBRA NC 0630–2000 B/C VR

Dry screw vacuum pumps

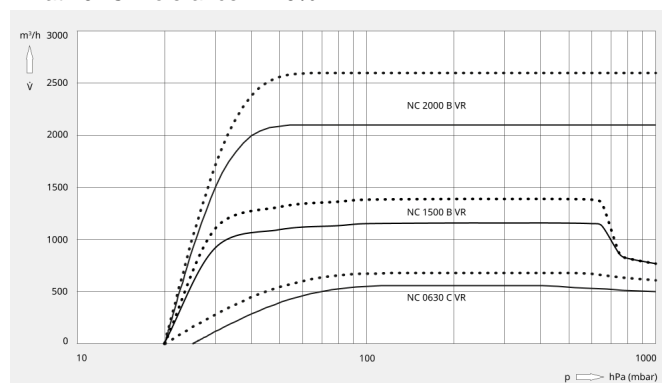


Dimensional drawing



Pumping speed

Air at 20 °C. Tolerance: ± 10%



The following technical values refer to ISO 50 Hz

	COBRA NC 0630 C VR	COBRA NC 1500 B VR	COBRA NC 2000 B VR
Pumping speed	580 m ³ /h	1160 m ³ /h	2100 m ³ /h
Ultimate pressure	< 25 hPa (mbar)	< 20 hPa (mbar)	< 20 hPa (mbar)
Nominal motor rating	22 kW	30 kW	55 kW
Nominal motor speed	3000 min ⁻¹	3000 min ⁻¹	3000 min ⁻¹
Sound pressure level (ISO 2151)	73 dB(A)	≤ 79 dB(A)	≤ 79 dB(A)
Weight approx.	880 kg	1250 kg	2000 kg
Dimensions (L x W x H)	1683 x 720 x 861 mm	1960 x 738 x 855 mm	2226 x 880 x 898 mm
Gas inlet	DN 100 PN 16, ANSI 4" B16.5	DN 100 PN 16, ANSI 4" B16.5	DN 150 PN 16, ANSI 6" B16.5
Gas outlet	DN 80 PN 16, ANSI 3" B16.5	DN 80 PN 16, ANSI 3" B16.5	DN 100 PN 16, ANSI 4" B16.5

The following technical values refer to ISO 60 Hz

	COBRA NC 0630 C VR	COBRA NC 1500 B VR	COBRA NC 2000 B VR
Pumping speed	680 m ³ /h	1400 m ³ /h	2600 m ³ /h
Ultimate pressure	< 20 hPa (mbar)	< 20 hPa (mbar)	< 20 hPa (mbar)
Nominal motor rating	22 kW	36 kW	63 kW
Nominal motor speed	3600 min ⁻¹	3600 min ⁻¹	3600 min ⁻¹

COBRA NC 0630–2000 B/C VR

Dry screw vacuum pumps



	COBRA NC 0630 C VR	COBRA NC 1500 B VR	COBRA NC 2000 B VR
Sound pressure level (ISO 2151)	78 dB(A)	≤ 81 dB(A)	≤ 84 dB(A)
Weight approx.	880 kg	1250 kg	2000 kg
Dimensions (L x W x H)	1683 x 720 x 861 mm	1960 x 738 x 855 mm	2226 x 880 x 898 mm
Gas inlet	DN 100 PN 16, ANSI 4" B16.5	DN 100 PN 16, ANSI 4" B16.5	DN 150 PN 16, ANSI 6" B16.5
Gas outlet	DN 80 PN 16, ANSI 3" B16.5	DN 80 PN 16, ANSI 3" B16.5	DN 100 PN 16, ANSI 4" B16.5

DO YOU WANT TO KNOW MORE

Please contact us!
sales@busch.co.nz or +64 (0)800 428 724



CONTACT FORM



CALL US NOW