

COBRA DS 1200/1800 A/A X

Dry screw vacuum pumps



Discover all advantages of
the product series COBRA
DS

High performance

Advanced screw design, excellent running qualities, integrated vacuum booster, perfectly suited for solar, flat panel and semiconductor applications and harsh processes with high gas temperatures, such as etch and CVD, excellent powder handling, tantal coated screw for harsh applications

Efficient

Low cost of ownership, minimal maintenance, long service intervals, high uptime, high hydrogen throughput, low energy consumption, variable temperature control

Compact

Fit-in-place design, directly mounted canned motor, backing pump and vacuum booster combined on a compact base frame, low vibration level

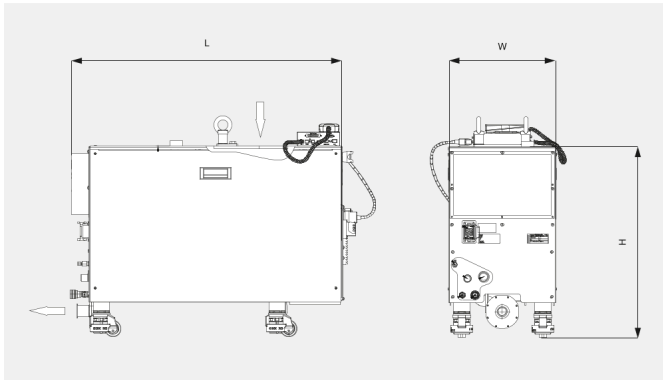
COBRA DS 1200/1800 A/A X

Dry screw vacuum pumps



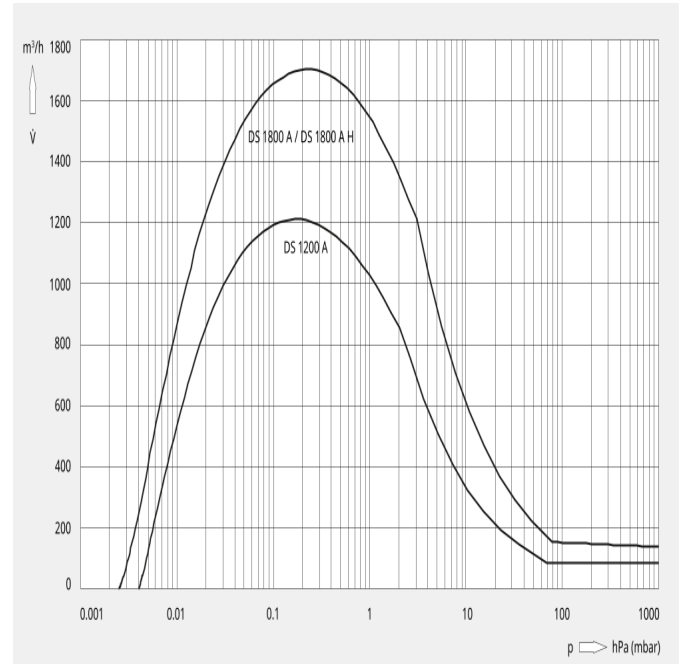
VACUUM SOLUTIONS

Dimensional drawing



Pumping speed

Air at 20 °C. Tolerance: ± 10%



The following technical values refer to ISO 50 Hz

	COBRA DS 1200 A	COBRA DS 1800 A	COBRA DS 1800 A X
Nominal pumping speed	1200 m³/h	1700 m³/h	1700 m³/h
Ultimate pressure	0.003 hPa (mbar)	0.003 hPa (mbar)	0.003 hPa (mbar)
Nominal motor rating backing pump	4.0 kW	4.4 kW	6.6 kW
Nominal motor rating vacuum booster	4.0 kW	4.0 kW	4.0 kW
Power consumption at ultimate pressure	4.1 kW	4.1 kW	7.1 kW
Nominal motor speed backing pump	3000 min ⁻¹	5100 min ⁻¹	3600 min ⁻¹
Nominal motor speed vacuum booster	5400 min ⁻¹	5400 min ⁻¹	5400 min ⁻¹
Sound pressure level (ISO 2151)	< 62 dB(A)	< 62 dB(A)	< 62 dB(A)
Water consumption	7.0–8.0 l/min	7.0–8.0 l/min	min. 7.0 – 8.0 l/min
Nitrogen consumption	0 – 75 l/min	0 – 75 l/min	0 – 75 l/min

COBRA DS 1200/1800 A/A X

Dry screw vacuum pumps



	COBRA DS 1200 A	COBRA DS 1800 A	COBRA DS 1800 A X
Weight approx.	500 kg	500 kg	520 kg
Dimensions (L x W x H)	1073 x 426 x 740 mm	1073 x 426 x 750 mm	1124 x 426 x 750 mm
Gas inlet	DN 160 ISO-K	DN 160 ISO-K	DN 160 ISO-K
Gas outlet	DN 40 ISO-KF	DN 40 ISO-KF	DN 40 ISO-KF

The following technical values refer to ISO 60 Hz

	COBRA DS 1200 A	COBRA DS 1800 A	COBRA DS 1800 A X
Nominal pumping speed	1200 m ³ /h	1700 m ³ /h	1700 m ³ /h
Ultimate pressure	0.003 hPa (mbar)	0.003 hPa (mbar)	0.003 hPa (mbar)
Nominal motor rating backing pump	4.4 kW	4.4 kW	6.6 kW
Nominal motor rating vacuum booster	4.0 kW	4.0 kW	4.0 kW
Power consumption at ultimate pressure	4.1 kW	4.1 kW	7.1 kW
Nominal motor speed backing pump	3600 min ⁻¹	5100 min ⁻¹	3600 min ⁻¹
Nominal motor speed vacuum booster	5400 min ⁻¹	5400 min ⁻¹	5400 min ⁻¹
Sound pressure level (ISO 2151)	< 62 dB(A)	< 62 dB(A)	< 62 dB(A)
Water consumption	7.0–8.0 l/min	7.0–8.0 l/min	min. 7.0 – 8.0 l/min
Nitrogen consumption	0 – 75 l/min	0 – 75 l/min	0 – 75 l/min
Weight approx.	500 kg	500 kg	520 kg
Dimensions (L x W x H)	1073 x 426 x 740 mm	1073 x 426 x 750 mm	1124 x 426 x 750 mm
Gas inlet	DN 160 ISO-K	DN 160 ISO-K	DN 160 ISO-K
Gas outlet	DN 40 ISO-KF	DN 40 ISO-KF	DN 40 ISO-KF

DO YOU WANT TO KNOW MORE

Please contact us!
sales@busch.co.nz or +64 (0)800 428 724



CONTACT FORM



CALL US NOW