

# DOLPHIN LR 0420/0580 A

Liquid ring vacuum pumps



VACUUM SOLUTIONS



## Robust

Proven technology, reliable operation, extremely high vapor and particle tolerance, specially designed for challenging environments like mining, power plants, sugar production, pulp and paper industry, steel production etc.

## High performance

High-capacity, high pumping speeds

## Flexible

Modular design, choice of cast iron (EN-GJL-200) housing with ductile cast iron impeller or all 304 grade, or 316L grade corrosion-free stainless steel material, operating fluids other than water possible, operation as compressor possible

### Accessories

- Motorized pumpsets, with gearbox or V-belt drive system
- Sturdy, steel mounting baseframes
- Partial or total recirculation systems
- Cavitation protection
- Gas ejector
- Non-return valves
- Vacuum relief valves
- Temporary inlet screens (for commissioning)

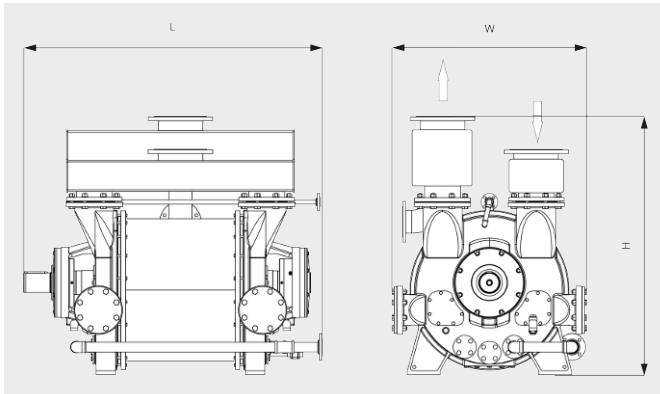
# DOLPHIN LR 0420/0580 A

Liquid ring vacuum pumps



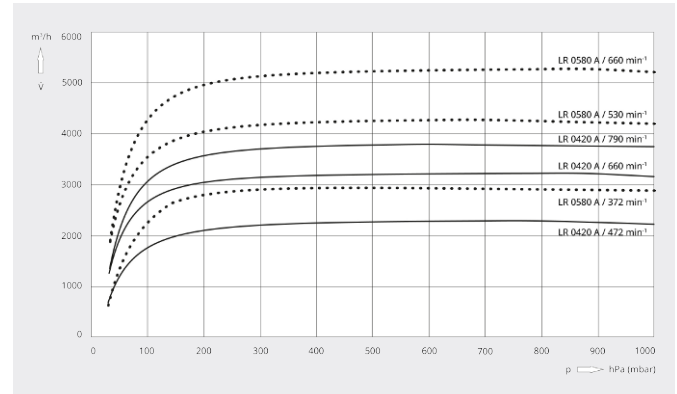
VACUUM SOLUTIONS

Dimensional drawing



Pumping speed

Dry air at 20°C. Tolerance: ± 10%, in accordance with HEI and Pneurop 6612



|                                 | DOLPHIN LR 0420 A             | DOLPHIN LR 0580 A             |
|---------------------------------|-------------------------------|-------------------------------|
| Nominal pumping speed           | 2250 – 3830 m <sup>3</sup> /h | 2900 – 5300 m <sup>3</sup> /h |
| Ultimate pressure               | 33 hPa (mbar)                 | 33 hPa (mbar)                 |
| Nominal motor rating            | 55 – 132 kW                   | 75 – 185 kW                   |
| Rotational speed of vacuum pump | 472 – 790 min <sup>-1</sup>   | 372 – 660 min <sup>-1</sup>   |
| Noise level (ISO 2151)          | ≤ 85 dB(A)                    | ≤ 85 dB(A)                    |
| Weight approx.                  | 1572 kg                       | 2233 kg                       |
| Dimensions (L x W x H)          | 1670 x 1030 x 1360 mm         | 1819 x 1160 x 1570 mm         |
| Gas inlet / outlet              | DN 200 PN 10 / DN 200 PN 10   | DN 250 PN 10 / DN 250 PN 10   |

DO YOU WANT TO KNOW MORE?

Get in touch with us directly!



CONTACT FORM