

PUMA WP 0700/1000 D/D2/D4

Vacuum boosters



VACUUM SOLUTIONS



Discover all advantages of the product series PUMA WP

Reliable

Solid lobe design, robust construction made of GGG40 material

High performance

Excellent volumetric efficiency, increases the performance of a vacuum system by up to a factor of ten, specially designed for rough and medium vacuum applications

Flexible

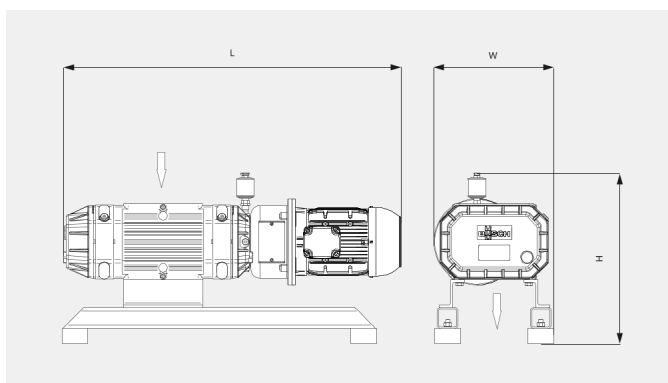
Can be flanged directly on the system at any position, boosts the performance of all types of backing pumps

PUMA WP 0700/1000 D/D2/D4

Vacuum boosters

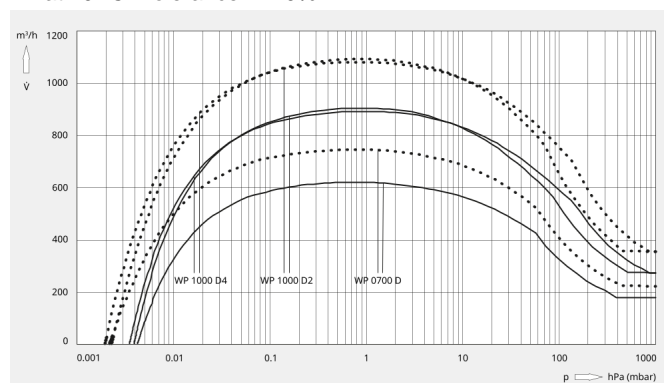


Dimensional drawing



Pumping speed

Air at 20 °C. Tolerance: ± 10%



The following technical values refer to ISO 50 Hz

	PUMA WP 0700 D	PUMA WP 1000 D2	PUMA WP 1000 D4
Nominal pumping speed	700 m³/h	1000 m³/h	1000 m³/h
Pumping speed	620 m³/h	900 m³/h	900 m³/h
Max. differential pressure	50 hPa (mbar)	50 hPa (mbar)	80 hPa (mbar)
Nominal motor rating	3.5 kW	3.5 kW	5.5 kW
Nominal motor speed	3000 min ⁻¹	3000 min ⁻¹	1500 min ⁻¹
Weight approx.	190 kg	200 kg	350 kg
Dimensions (L x W x H)	905 x 345 x 494	992 x 345 x 494	1244 x 420 x 578
Gas inlet	DN 100 ISO	DN 160 ISO	DN 160 ISO
Gas outlet	DN 100 ISO	DN 160 ISO	DN 160 ISO

The following technical values refer to ISO 60 Hz

	PUMA WP 0700 D	PUMA WP 1000 D2	PUMA WP 1000 D4
Nominal pumping speed	840 m³/h	1200 m³/h	1200 m³/h
Pumping speed	750 m³/h	1090 m³/h	1090 m³/h
Max. differential pressure	50 hPa (mbar)	50 hPa (mbar)	80 hPa (mbar)
Nominal motor rating	4.8 kW	4.8 kW	6.6 kW
Nominal motor speed	3600 min ⁻¹	3600 min ⁻¹	1800 min ⁻¹

PUMA WP 0700/1000 D/D2/D4

Vacuum boosters



VACUUM SOLUTIONS

	PUMA WP 0700 D	PUMA WP 1000 D2	PUMA WP 1000 D4
Weight approx.	190 kg	200 kg	350 kg
Dimensions (L x W x H)	905 x 345 x 494	992 x 345 x 494	1244 x 420 x 578
Gas inlet	DN 100 ISO	DN 160 ISO	DN 160 ISO
Gas outlet	DN 100 ISO	DN 160 ISO	DN 160 ISO

Do you want to know more

Please contact us!
busch@busch.com.my or +60 (0)3 55 25 95 00



Contact form



Call us now