

APOVAC AP 0260/0330 A

Vacuum systems for chemical and pharmaceutical industries



Proven performance

Standard vacuum system with proven DOLPHIN liquid ring vacuum pumps, specially designed for major processes in chemical and pharmaceutical industries, such as distillation, crystallization, filtration, vacuum drying

Robust

Handling of toxic, corrosive or explosive gases, extremely high vapor and particle tolerance, for harsh process conditions, double condensation to ensure minimum carryover and maximum solvent recovery

Cost-effective

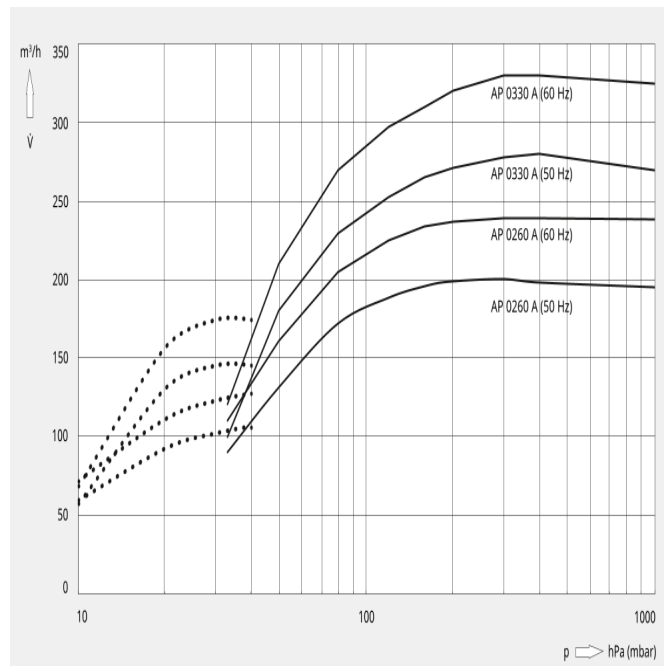
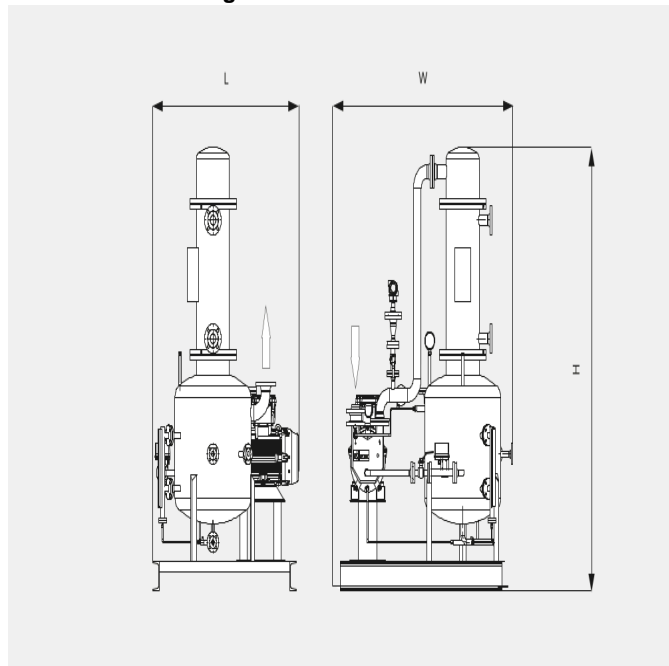
Low operating costs, high uptime, minimal maintenance, long service life

APOVAC AP 0260/0330 A

Vacuum systems for chemical and pharmaceutical industries



Dimensional drawing



The following technical values refer to ISO 50 Hz

| | AP 0260 A | AP 0330 A |
|-------------------------------|------------------------|------------------------|
| Nominal pumping speed | 200 m ³ /h | 280 m ³ /h |
| Ultimate pressure | 33 hPa (mbar) | 33 hPa (mbar) |
| Nominal motor rating | 5.5 kW | 7.5 kW |
| Nominal motor speed | 1450 min ⁻¹ | 1450 min ⁻¹ |
| Weight approx. | 700 kg | 750 kg |
| Dimensions (L x W x H) | 1400 x 1300 x 2300 mm | 1400 x 1300 x 2300 mm |
| Gas inlet | DN 50 | DN 50 |
| Gas outlet | DN 65 | DN 65 |

The following technical values refer to ISO 60 Hz

| | AP 0260 A | AP 0330 A |
|------------------------------|---------------------------------------|---------------------------------------|
| Nominal pumping speed | 240 m ³ /h | 330 m ³ /h |
| Ultimate pressure | 10 (with optional ejector) hPa (mbar) | 10 (with optional ejector) hPa (mbar) |

APOVAC AP 0260/0330 A

Vacuum systems for chemical and pharmaceutical industries



VACUUM SOLUTIONS

| | AP 0260 A | AP 0330 A |
|------------------------|------------------------|------------------------|
| Nominal motor rating | 7.5 kW | 11.0 kW |
| Nominal motor speed | 1750 min ⁻¹ | 1750 min ⁻¹ |
| Weight approx. | 700 kg | 750 kg |
| Dimensions (L x W x H) | 1400 x 1300 x 2300 mm | 1400 x 1300 x 2300 mm |
| Gas inlet | DN 50 | DN 50 |
| Gas outlet | DN 65 | DN 65 |

DO YOU WANT TO KNOW MORE

Please contact us!
busch@busch.com.my or +60 (0)3 55 25 95 00



CONTACT FORM



CALL US NOW