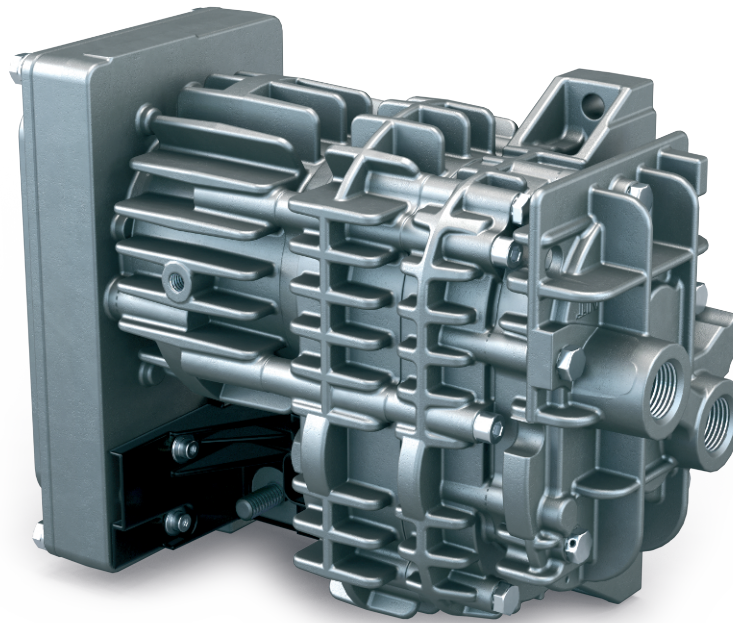


# MINK MA 0018 A

Dry claw compressor



## Robust

Specially designed to transport air in mobile applications, may be operated under extreme conditions, in temperature ranges between -40 °C and +100 °C and at elevations between -1,000 m and 4,000 m, resistant to severe vibration

## Efficient

Latest claw compressor technology, dry and contact-free compression, no contamination of pumped medium, intelligent variable speed drive, low energy consumption, long life cycle without servicing

## Compact

Small footprint due to "all-in-one" design

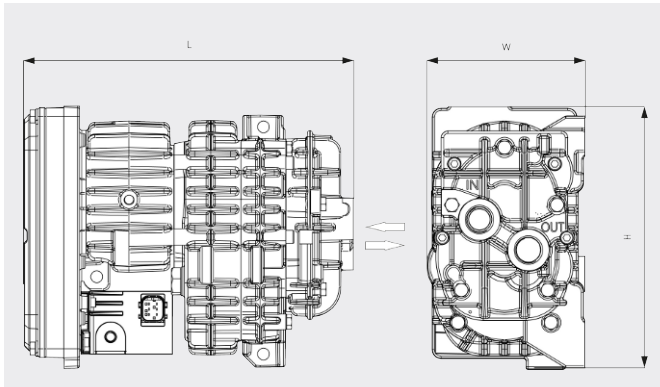
# MINK MA 0018 A

Dry claw compressor



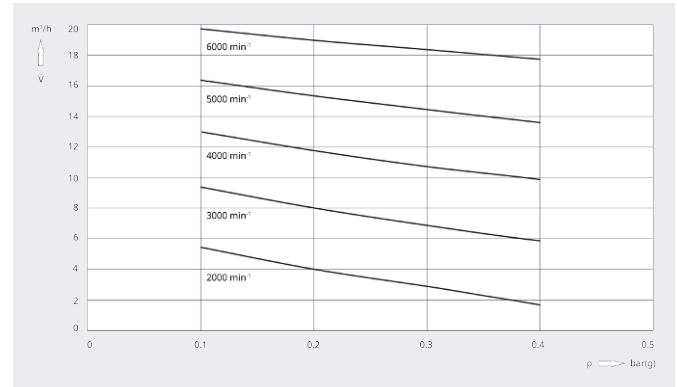
VACUUM SOLUTIONS

Dimensional drawing



Pumping speed

Air at 20°C. Tolerance: ± 10%



MINK MA 0018 A	
Volume flow (at inlet)	18 m <sup>3</sup> /h
Overpressure	0.4 bar(g)
Nominal motor rating	0.5 kW
Nominal motor speed	6000 min <sup>-1</sup>
Ambient temperature	-40 ... +40
Noise level (ISO 2151)	73 dB(A)
Weight approx.	6.5 kg
Dimensions (L x W x H)	249.5 x 120 x 199 mm
Gas inlet / outlet	G ½"

DO YOU WANT TO KNOW MORE?

Get in touch with us directly!  
[busch@busch.com.my](mailto:busch@busch.com.my) or +60 (0)3 55 25 95 00



CONTACT FORM



CALL NOW