

DOLPHIN LA 3809/5109 A

Liquid ring vacuum pumps



VACUUM SOLUTIONS



Robust

Proven technology, durable single-stage construction

Reliable

Extremely high vapor and particle tolerance

Flexible

Wide range of construction materials, including cast iron (EN-GJL-200), many grades of stainless steel and even titanium, ATEX-certified version available (Cat 1(i)/2(o) IIC T5), different operating fluids possible, operation as compressor possible

Accessories, spare parts and options

- Partial or total recirculation systems
- Liquid separator
- Cavitation protection
- Heat exchanger
- Gas ejector
- Wide selection of motors
- Non-return valves
- Vacuum relief valves

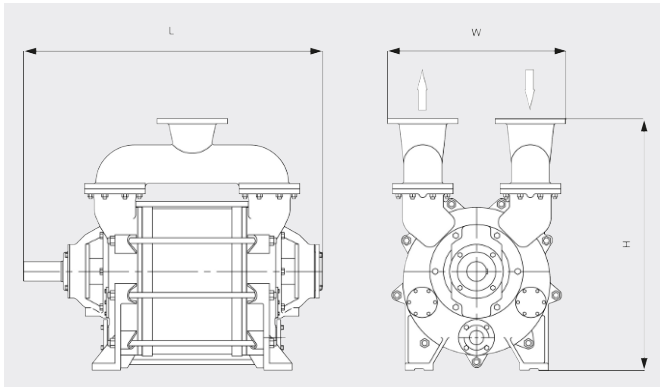
DOLPHIN LA 3809/5109 A

Liquid ring vacuum pumps



VACUUM SOLUTIONS

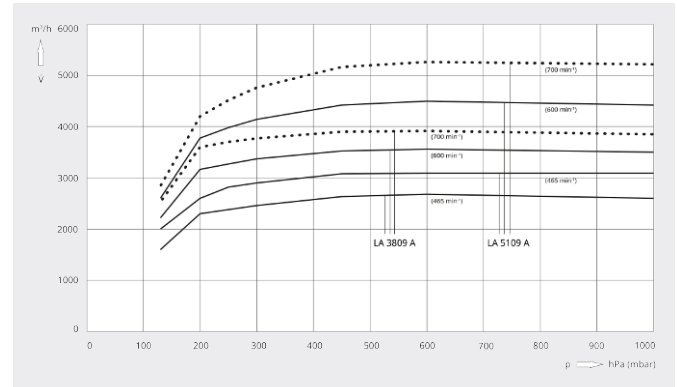
Dimensional drawing



Pumping speed

Air at 20°C. Tolerance: ± 10%

— 50 Hz 60 Hz



	DOLPHIN LA 3809 A	DOLPHIN LA 5109 A
Nominal pumping speed	2600 – 3600 / 3400 – 3800 m³/h (50 / 60 Hz)	3600 – 4700 / 4400 – 5100 m³/h (50 / 60 Hz)
Ultimate pressure	130 hPa (mbar)	130 hPa (mbar)
Nominal motor rating	75 – 110 / 90 – 132 kW	90 – 132 / 110 – 150 kW
Nominal motor speed	465 – 650 / 600 – 700 min ⁻¹ (50 / 60 Hz)	465 – 650 / 600 – 700 min ⁻¹ (50 / 60 Hz)
Noise level (ISO 2151)	85 dB(A)	85 dB(A)
Weight approx.	2030 kg	2150 kg
Dimensions (L x W x H)	1665 x 800 x 1400 mm	1790 x 800 x 1400 mm
Gas inlet / outlet	DN 250 PN 10 / DN 250 PN 10	DN 250 PN 10 / DN 250 PN 10

DO YOU WANT TO KNOW MORE?

Get in touch with us directly!
busch@busch.com.my or +60 (0)3 55 25 95 00



CONTACT FORM



CALL NOW