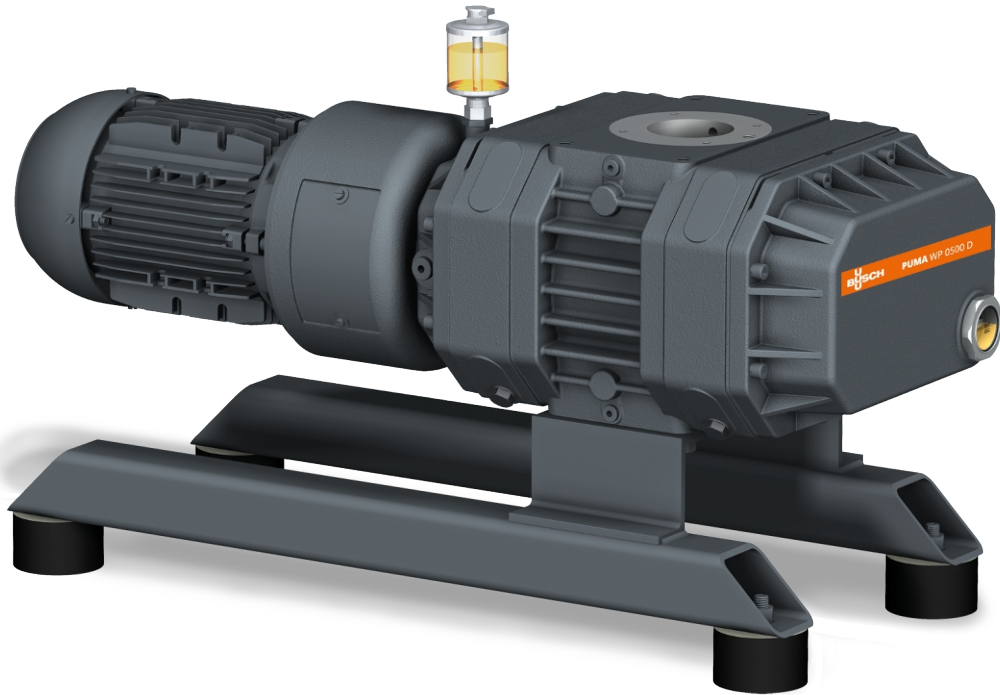


# PUMA WP 0250/0500 D2/D4

Vacuum boosters



VACUUM SOLUTIONS



## Reliable

Solid lobe design, robust construction made of GGG40 material

## High performance

Excellent volumetric efficiency, increases the performance of a vacuum system by up to a factor of ten, specially designed for rough and medium vacuum applications

## Flexible

Can be flanged directly on the system at any position, boosts the performance of all types of backing pumps

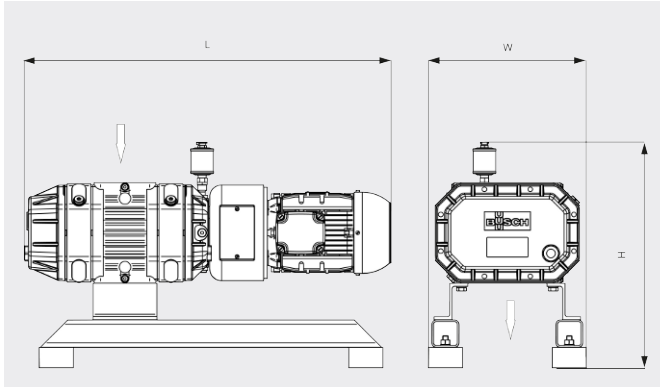
# PUMA WP 0250/0500 D2/D4

Vacuum boosters



VACUUM SOLUTIONS

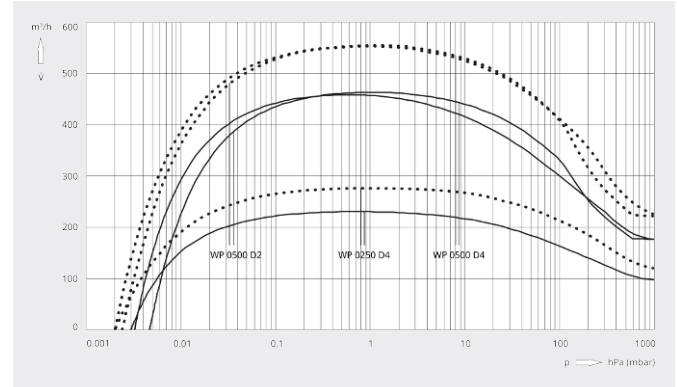
Dimensional drawing



Pumping speed

Air at 20°C. Tolerance: ± 10%

— 50 Hz ..... 60 Hz



	PUMA WP 0250 D4	PUMA WP 0500 D2	PUMA WP 0500 D4
<b>Pumping speed</b>	260 / 310 m³/h (50 / 60 Hz)	520 / 620 m³/h (50 / 60 Hz)	520 / 620 m³/h (50 / 60 Hz)
<b>Pumping speed</b>	231 / 277 m³/h (50 / 60 Hz)	463 / 554 m³/h (50 / 60 Hz)	458 / 552 m³/h (50 / 60 Hz)
<b>Max. differential pressure</b>	80 hPa (mbar) (50 / 60 Hz)	50 hPa (mbar) (50 / 60 Hz)	80 hPa (mbar) (50 / 60 Hz)
<b>Nominal motor rating</b>	1.1 / 1.5 kW (50 / 60 Hz)	2.2 / 3.0 kW (50 / 60 Hz)	1.8 / 2.4 kW (50 / 60 Hz)
<b>Nominal motor speed</b>	1500 / 1800 min <sup>-1</sup> (50 / 60 Hz)	3000 / 3600 min <sup>-1</sup> (50 / 60 Hz)	1500 / 1800 min <sup>-1</sup> (50 / 60 Hz)
<b>Weight approx.</b>	150 kg	150 kg	200 kg
<b>Dimensions (L x W x H)</b>	792 x 345 x 494 mm	813 x 345 x 494 mm	971 x 345 x 494 mm
<b>Gas inlet / outlet</b>	DN 63 ISO / DN 63 ISO	DN 63 ISO / DN 63 ISO	DN 160 ISO / DN 160 ISO

DO YOU WANT TO KNOW MORE?

Get in touch with us directly!  
[busch@busch.com.my](mailto:busch@busch.com.my) or +60 (0)3 55 25 95 00



CONTACT FORM



CALL NOW