

COBRA NC 0400-1000 B/C

Dry screw vacuum pumps



VACUUM SOLUTIONS



High performance

Advanced screw design, patented self-balancing screws, perfectly suited for chemical processes, distillation and vacuum drying

Efficient

Low cost of ownership, minimal maintenance, long service intervals, high uptime, efficient water cooling

Flexible

Air cooling, various sealing and coating configurations as well as ATEX-certified versions available

Accessories

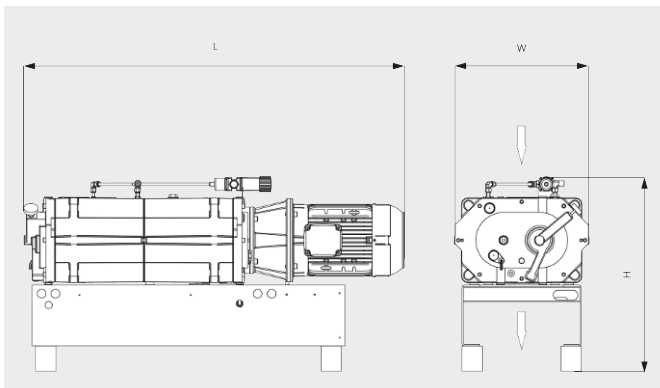
- Various sealing and coating configurations
- ATEX-certified versions available

COBRA NC 0400-1000 B/C

Dry screw vacuum pumps

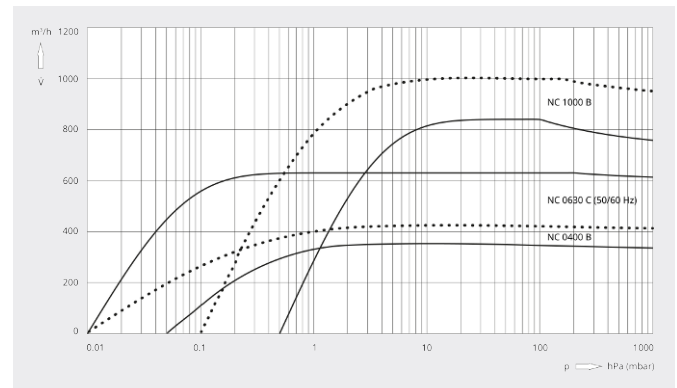


Dimensional drawing



Pumping speed
Air at 20°C. Tolerance: ± 10%

— 50 Hz 60 Hz



	COBRA NC 0400 B	COBRA NC 0630 C	COBRA NC 1000 B
Nominal pumping speed	350 / 420 m³/h (50 / 60 Hz)	630 m³/h (50 / 60 Hz)	840 / 1000 m³/h (50 / 60 Hz)
Ultimate pressure	≤ 0.05 / ≤ 0.01 hPa (mbar) (50 / 60 Hz)	≤ 0.01 hPa (mbar) (50 / 60 Hz)	≤ 0.5 / ≤ 0.1 hPa (mbar) (50 / 60 Hz)
Nominal motor rating	7.5 / 9.5 kW (50 / 60 Hz)	15.0 / 17.0 kW (50 / 60 Hz)	22.0 / 25.0 kW (50 / 60 Hz)
Nominal motor speed	3000 / 3600 min ⁻¹ (50 / 60 Hz)	3000 / 3600 min ⁻¹ (50 / 60 Hz)	3000 / 3600 min ⁻¹ (50 / 60 Hz)
Noise level (ISO 2151)	66 / 69 dB(A) (50 / 60 Hz)	70 / 75 dB(A) (50 / 60 Hz)	74 / 81 dB(A) (50 / 60 Hz)
Weight approx.	500 kg	600 kg	1500 kg
Dimensions (L x W x H)	1367 x 480 x 700 mm	1502 x 602 x 640 mm	1928 x 620 x 974 mm
Gas inlet / outlet	DN 80 PN 6 / DN 63 ISO-K	DN 100 ISO-K / DN 100 ISO-K	DN 125 PN 16 / DN 125 PN 16

DO YOU WANT TO KNOW MORE?

Get in touch with us directly!
busch@busch.com.my or +60 (0)3 55 25 95 00



CONTACT FORM



CALL NOW