

# DOLPHIN LG 1910/2680 A

Liquid ring vacuum pumps



## Robust

Proven technology, reliable operation, extremely high vapor and particle tolerance, specially designed for challenging environments like mining, power plants, sugar production, pulp and paper industry, steel production etc.

## High performance

High-capacity, high pumping speeds

## Flexible

Modular design, choice of cast iron (EN-GJL-200) housing with ductile cast iron impeller or all 316 grade corrosion-free stainless steel material, operating fluids other than water possible, operation as compressor possible

### Accessories

- Motorized pumpsets, with gearbox or V-belt drive system, mounted on sturdy steel base frames
- Partial or total recirculation systems
- Cavitation protection
- Gas ejector
- Non-return valves
- Vacuum relief valves

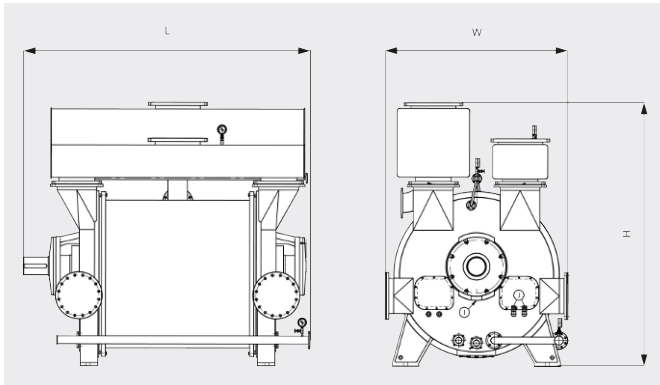
# DOLPHIN LG 1910/2680 A

Liquid ring vacuum pumps



VACUUM SOLUTIONS

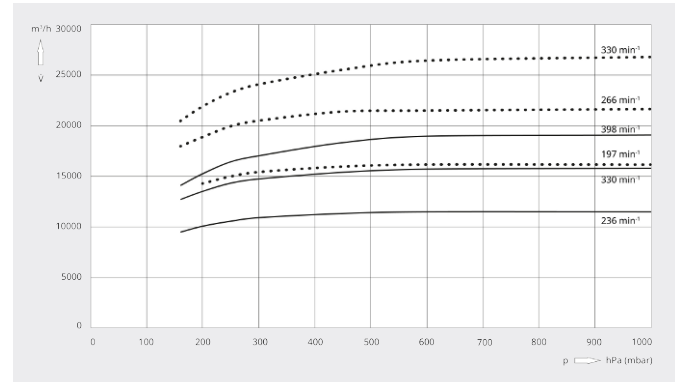
Dimensional drawing



Pumping speed

Air at 20°C. Tolerance: ± 10%

— 50 Hz ..... 60 Hz



	DOLPHIN LG 1910 A	DOLPHIN LG 2680 A
Nominal pumping speed	11550 – 19100 m³/h	16160 – 26800 m³/h
Ultimate pressure	160 hPa (mbar)	160 hPa (mbar)
Nominal motor rating	220 – 500 kW	355 – 650 kW
Nominal motor speed	236 – 398 min <sup>-1</sup>	197 – 330 min <sup>-1</sup>
Noise level (ISO 2151)	< 85 dB(A)	< 85 dB(A)
Weight approx.	8930 kg	12750 kg
Dimensions (L x W x H)	2732 x 1785 x 2560 mm	3191 x 2065 x 2965 mm
Gas inlet / outlet	DN 400 PN 10 / DN 400 PN 10	DN 500 PN 10 / DN 500 PN 10

DO YOU WANT TO KNOW MORE?

Get in touch with us directly!  
[busch@busch.com.my](mailto:busch@busch.com.my) or +60 (0)3 55 25 95 00



CONTACT FORM



CALL NOW