

DOLPHIN LT 0320-0510 A

Liquid ring vacuum pumps



VACUUM SOLUTIONS



Robust

Proven technology, durable two-stage construction, corrosion-free stainless steel impeller, direct flange-mounted motor, no base frame required, integrated flow channel

Reliable

Extremely high vapor and particle tolerance, optimized gas flow

Flexible

Choice of cast iron (EN-GJL-200) or 316 grade stainless steel material housings, ATEX-certified version available (Cat 1(i/o) IIC T4), operating fluids other than water possible

Accessories

- Modular pumpsets, configured for once-through, partial or total recirculation of the operating fluid
- Liquid separator
- Cavitation protection
- Heat exchanger
- Gas ejector
- Wide selection of motors
- Non-return valves
- Vacuum relief valves
- Variable speed drive

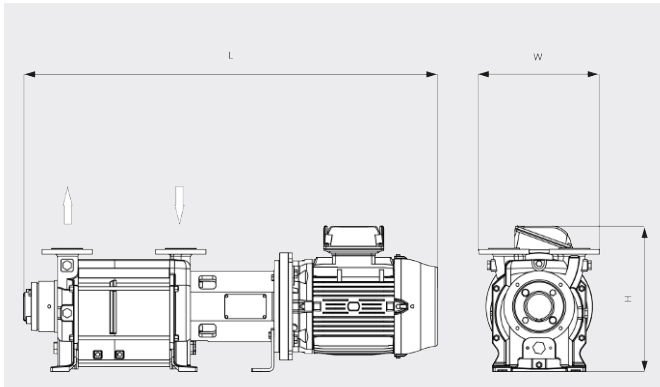
DOLPHIN LT 0320-0510 A

Liquid ring vacuum pumps



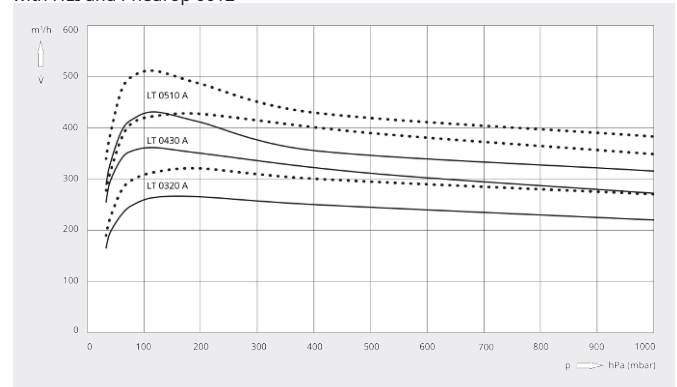
VACUUM SOLUTIONS

Dimensional drawing



Pumping speed

Dry air at 20 °C. Operating fluid water 15°C. Tolerance: - 10%, in accordance with HEI and Pneurop 6612



| | DOLPHIN LT 0320 A | DOLPHIN LT 0430 A | DOLPHIN LT 0510 A |
|-------------------------------|--|--|--|
| Nominal pumping speed | 265 / 320 m³/h (50 / 60 Hz) | 361 / 426 m³/h (50 / 60 Hz) | 430 / 510 m³/h (50 / 60 Hz) |
| Ultimate pressure | 33 hPa (mbar) (50 / 60 Hz) | 33 hPa (mbar) (50 / 60 Hz) | 33 hPa (mbar) (50 / 60 Hz) |
| Max. overpressure | 1.5 bar(g) (50 / 60 Hz) | 1.5 / 1.3 bar(g) (50 / 60 Hz) | 1.1 bar(g) (50 / 60 Hz) |
| Nominal motor rating | 7.5 / 11.0 kW (50 / 60 Hz) | 11.0 / 15.0 kW (50 / 60 Hz) | 11.0 / 15.0 kW (50 / 60 Hz) |
| Nominal motor speed | 1450 / 1750 min ⁻¹ (50 / 60 Hz) | 1450 / 1750 min ⁻¹ (50 / 60 Hz) | 1450 / 1750 min ⁻¹ (50 / 60 Hz) |
| Noise level (ISO 2151) | 72 / 73 dB(A) (50 / 60 Hz) | 72 / 73 dB(A) (50 / 60 Hz) | 72 / 73 dB(A) (50 / 60 Hz) |
| Weight approx. | 242 kg | 294 kg | 324 kg |
| Dimensions (L x W x H) | 1208 x 396 x 432 mm | 1356 x 396 x 478 mm | 1416 x 396 x 478 mm |
| Gas inlet / outlet | DN 50 PN 10 / DN 50 PN 10 | DN 50 PN 10 / DN 50 PN 10 | DN 50 PN 10 / DN 50 PN 10 |

DO YOU WANT TO KNOW MORE?

Get in touch with us directly!
busch@busch.com.my or +60 (0)3 55 25 95 00



CONTACT FORM



CALL NOW