

# DOLPHIN VL 0130-0320 A

## Partial Recirculation

Liquid ring vacuum pump units



VACUUM SOLUTIONS



### Robust

Proven technology, reliable operation, corrosion-free stainless steel impeller, extremely high vapor and particle tolerance, part of the operating fluid is recirculated, fresh liquid introduced in sufficient quantity to maintain proper temperature

### All-in-One

Unit with base frame, operating fluid separator, control system, including inlet check valve, fresh liquid supply kit, level indicator with switches, temperature and pressure indicators and cavitation protection

### Flexible

Choice of cast iron (EN-GJL-200) or 316 grade stainless steel material housings, ATEX-certified version available (Cat. 1 (i/o) IIC, T4), operating fluids other than water possible

# DOLPHIN VL 0130-0320 A Partial Recirculation

Liquid ring vacuum pump units

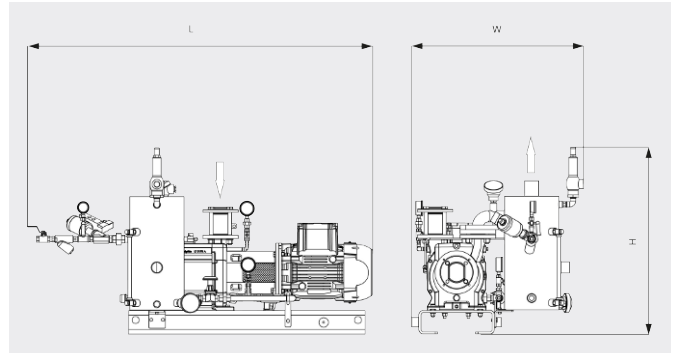


VACUUM SOLUTIONS

Dimensional drawing



Dimensional drawing



	DOLPHIN VL 0130 A Partial Recirculation	DOLPHIN VL 0170 A Partial Recirculation	DOLPHIN VL 0220 A Partial Recirculation	DOLPHIN VL 0320 A Continuous Flow
<b>Nominal pumping speed</b>	105 / 128 m <sup>3</sup> /h (50 / 60 Hz)	144 / 162 m <sup>3</sup> /h (50 / 60 Hz)	203 / 230 m <sup>3</sup> /h (50 / 60 Hz)	255 / 320 m <sup>3</sup> /h (50 / 60 Hz)
<b>Ultimate pressure</b>	33 hPa (mbar) (50 / 60 Hz)	33 hPa (mbar) (50 / 60 Hz)	33 hPa (mbar) (50 / 60 Hz)	33 hPa (mbar) (50 / 60 Hz)
<b>Nominal motor rating</b>	3.0 / 4.0 kW (50 / 60 Hz)	4.0 / 5.5 kW (50 / 60 Hz)	5.5 / 7.5 kW (50 / 60 Hz)	7.5 / 11.0 kW (50 / 60 Hz)
<b>Weight approx.</b>	210 / 236 kg (Safe / ATEX)	220 / 248 kg (Safe / ATEX)	263 / 300 kg (Safe / ATEX)	382 / 429 kg (Safe / ATEX)
<b>Dimensions (L x W x H)</b>	1133 x 704 x 647 / 1133 x 724 x 788 mm (Safe / ATEX)	1133 x 704 x 647 / 1166 x 724 x 788 mm (Safe / ATEX)	1231 x 704 x 647 / 1303 x 724 x 788 mm (Safe / ATEX)	1519 x 869 x 947 / 1520 x 931 x 1064 mm (Safe / ATEX)
<b>Gas inlet / outlet</b>	G 1½" / R 2"	G 1½" / R 2"	G 1½" / R 2"	G 2" / R 3"

**DO YOU WANT TO KNOW MORE?**

Get in touch with us directly!  
busch@busch.com.my or +60 (0)3 55 25 95 00



CONTACT FORM



CALL NOW