

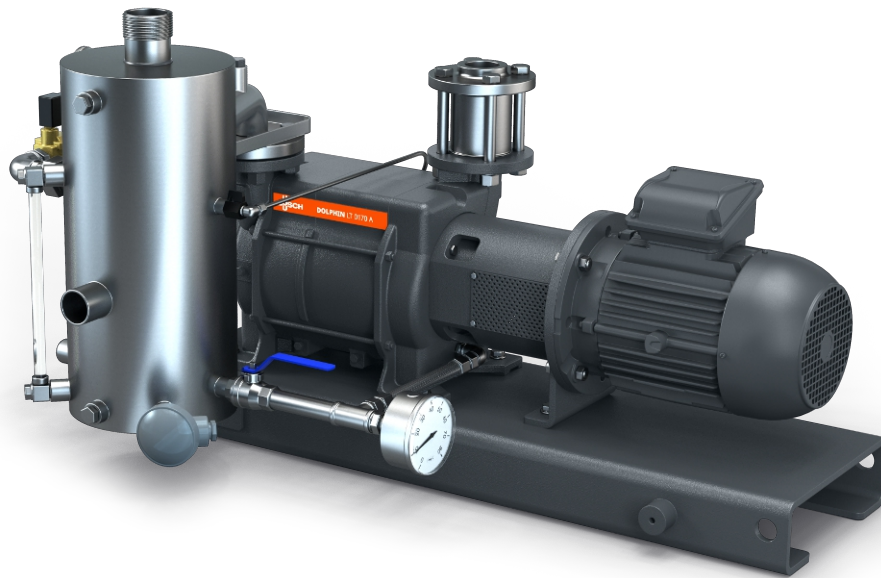
# DOLPHIN VL 0530-0800 A

## Partial Recirculation

Liquid ring vacuum pump units



VACUUM SOLUTIONS



### Robust

Proven technology, reliable operation, corrosion-free stainless steel impeller, extremely high vapor and particle tolerance, part of the operating fluid is recirculated, fresh liquid introduced in sufficient quantity to maintain proper temperature

### All-in-One

Unit with base frame, operating fluid separator, control system, including inlet check valve, fresh liquid supply kit, level indicator with switches, temperature and pressure indicators and cavitation protection

### Flexible

Choice of cast iron (EN-GJL-200) or 316 grade stainless steel material housings, ATEX-certified version available (Cat. 1 (i/o) IIC, T4), operating fluids other than water possible

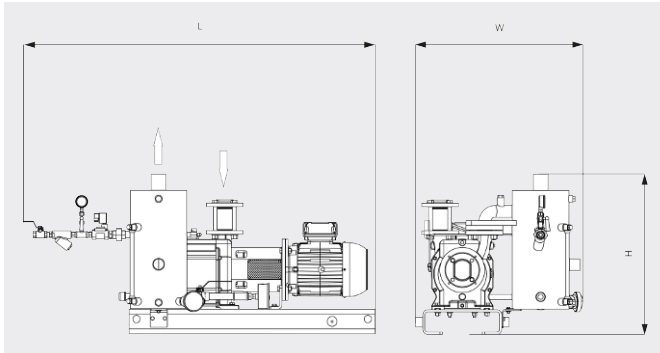
# DOLPHIN VL 0530-0800 A Partial Recirculation

Liquid ring vacuum pump units

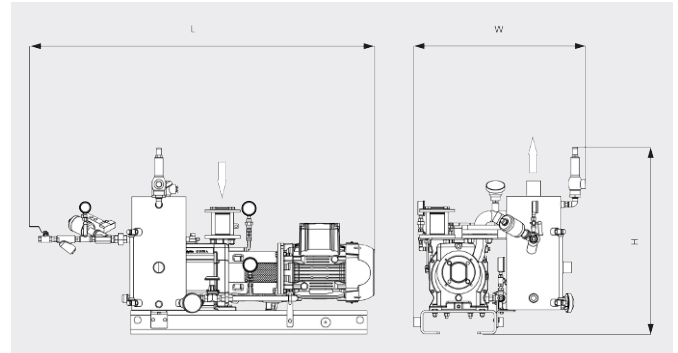


VACUUM SOLUTIONS

Dimensional drawing



Dimensional drawing



	DOLPHIN VL 0530 A Partial Recirculation	DOLPHIN VL 0800 A Partial Recirculation
<b>Nominal pumping speed</b>	405 / 551 m <sup>3</sup> /h (50 / 60 Hz)	722 / 867 m <sup>3</sup> /h (50 / 60 Hz)
<b>Ultimate pressure</b>	130 hPa (mbar) (50 / 60 Hz)	130 hPa (mbar) (50 / 60 Hz)
<b>Nominal motor rating</b>	11.0 / 15.0 kW (50 / 60 Hz)	18.5 / 22.0 kW (50 / 60 Hz)
<b>Weight approx.</b>	450 / 526 kg (Safe / ATEX)	529 / 621 kg (Safe / ATEX)
<b>Dimensions (L x W x H)</b>	1521 x 870 x 947 / 1564 x 936 x 1066 mm (Safe / ATEX)	1675 x 955 x 962 / 1671 x 955 x 1243 mm (Safe / ATEX)
<b>Gas inlet / outlet</b>	G 2" / R 3"	G 2½" / R 4"

## DO YOU WANT TO KNOW MORE?

Get in touch with us directly!  
[busch@busch.com.my](mailto:busch@busch.com.my) or +60 (0)3 55 25 95 00



CONTACT FORM



CALL NOW