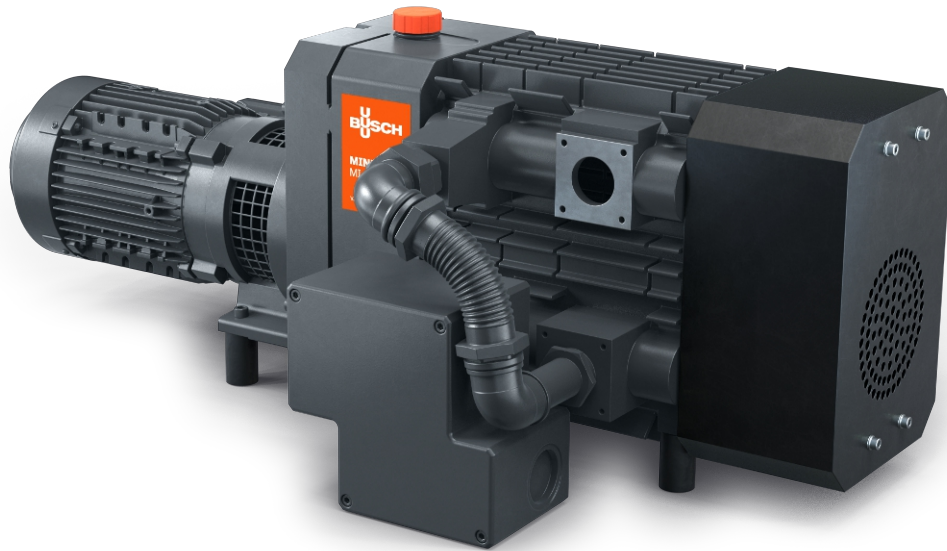


# MINK MI 2124/2122 BV

Dry claw vacuum pumps



VACUUM SOLUTIONS



## Efficient

Substantial energy savings compared to conventional vacuum generators, minimized operating costs

## Nearly maintenance-free

Dry and contact-free operation

## High performance

Low ultimate pressure due to two-stage construction

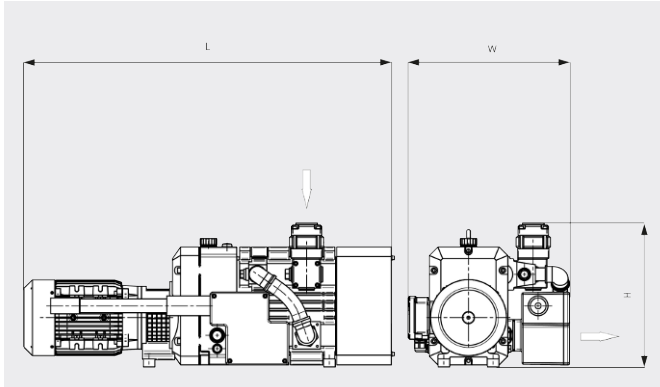
# MINK MI 2124/2122 BV

Dry claw vacuum pumps



VACUUM SOLUTIONS

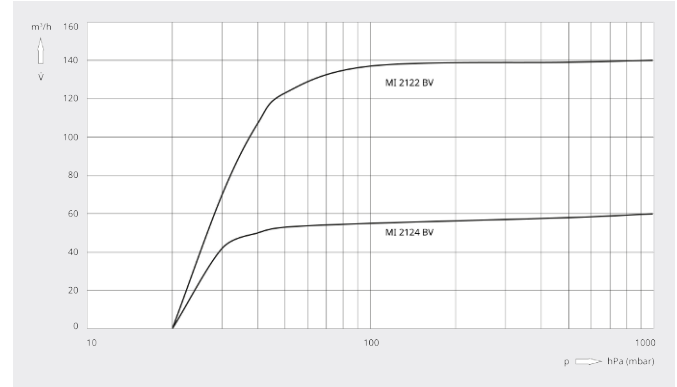
Dimensional drawing



Pumping speed

Air at 20°C. Tolerance: ± 10%

— 50 Hz ..... 60 Hz



	MINK MI 2124 BV	MINK MI 2122 BV
Nominal pumping speed	50 / 60 m³/h (50 / 60 Hz)	120 / 140 m³/h (50 / 60 Hz)
Ultimate pressure	20 hPa (mbar) (50 / 60 Hz)	20 hPa (mbar) (50 / 60 Hz)
Nominal motor rating	1.5 kW (50 Hz) 2.0 / 2.4 kW (50 / 60 Hz)	4.2 kW (50 Hz) 5.1 / 6.8 kW (50 / 60 Hz)
Nominal motor speed	1500 / 1800 min <sup>-1</sup> (50 / 60 Hz)	3000 / 3600 min <sup>-1</sup> (50 / 60 Hz)
Noise level (ISO 2151)	75 / 77 dB(A) (50 / 60 Hz)	81 / 84 dB(A) (50 / 60 Hz)
Weight approx.	135 kg	145 kg
Dimensions (L x W x H)	940 x 415 x 370 mm	970 x 430 x 370 mm
Gas inlet / outlet	G 1¼" / G 1"	G 1¼" / G 1"

DO YOU WANT TO KNOW MORE?

Get in touch with us directly!



CONTACT FORM