

FOSSA FO 0035 B

Scroll vacuum pumps



VACUUM SOLUTIONS



Robust

Specially designed for analytical and scientific applications, for example leak detection, single-sided scroll design, dry compression, gas-tight, lifetime-lubricated bearings, minimal maintenance

Easy servicing

No special tools necessary, modular design for rapid exchange of stages

Quiet

Low noise and vibration levels, can be installed at workstations

Accessories

- Inlet filter, FIL 0080
- Exhaust filter and silencer
- Gas-ballast valve
- Gas-ballast adapter, dilution kit
- Four castor wheels
- Tip seal replacement kit

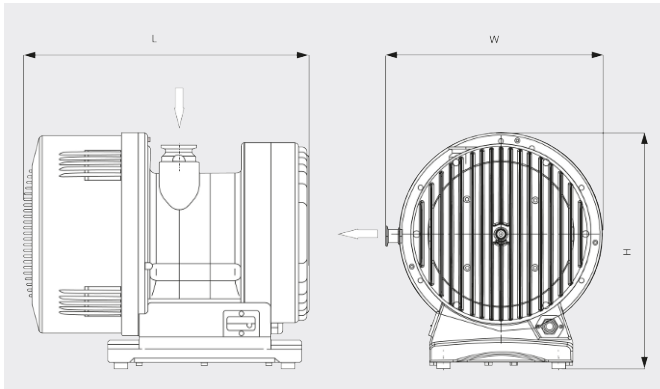
FOSSA FO 0035 B

Scroll vacuum pumps



VACUUM SOLUTIONS

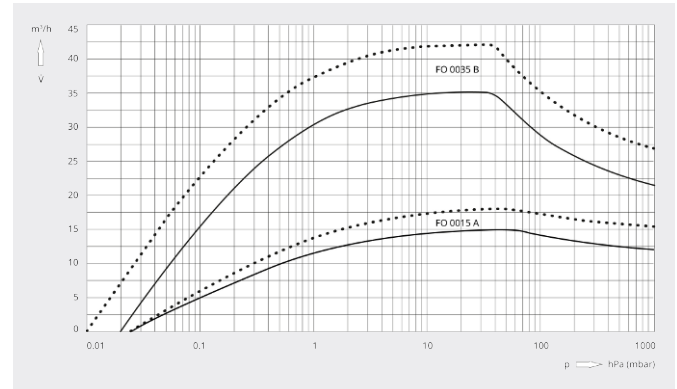
Dimensional drawing



Pumping speed

Air at 20°C. Tolerance: ± 10%

— 50 Hz 60 Hz



	FOSSA FO 0035 B	FOSSA FO 0035 B
Pumping speed	35 / 42 m³/h (50 / 60 Hz)	35 / 42 m³/h (50 / 60 Hz)
Pumping speed	583 / 700 l/min (50 / 60 Hz)	583 / 700 l/min (50 / 60 Hz)
Ultimate total pressure (gas-ballast valve closed)	0.01 hPa (mbar)	0.01 hPa (mbar)
Ultimate total pressure (gas-ballast valve open)	0.09 hPa (mbar)	0.09 hPa (mbar)
Max. continuous inlet pressure	100 hPa (mbar) rel.	100 hPa (mbar) rel.
Max. back pressure	200 hPa (mbar) rel.	200 hPa (mbar) rel.
Water vapor capacity (gas-ballast valve open)	400 g/h	400 g/h
Leakage rate (helium)	< 1 · 10 ⁻⁶ mbar · l/s	< 1 · 10 ⁻⁶ mbar · l/s
Nominal motor rating	0.75 kW	0.75 kW
Operating voltage	100 – 240 V (50 / 60 Hz)	190 – 220 / 380 – 415 V (50 Hz) / 200 – 240 / 380 – 480 V (60 Hz)
Motor phase	Single-phase	Three-phase
Ambient temperature	5 – 40 °C	5 – 40 °C
Vibration level at inlet (ISO 10816-1)	Class 1B, < 1.5 mm · s ⁻¹	Class 1B, < 1.5 mm · s ⁻¹
Noise level (ISO 2151)	43 dB(A) (idle mode) / 60 dB(A) (max.)	43 dB(A) (idle mode) / 60 dB(A) (max.)
Weight approx.	50 kg	50 kg

FOSSA FO 0035 B

Scroll vacuum pumps



VACUUM SOLUTIONS

	FOSSA FO 0035 B	FOSSA FO 0035 B
Dimensions (L x W x H)	462 x 338 x 369 mm	462 x 338 x 369 mm
Gas inlet / outlet	DN 40 ISO-KF / DN 16 ISO-KF	DN 40 ISO-KF / DN 16 ISO-KF
Emissions and immunity	EN 61236-1:2013 as a class A device	EN 61236-1:2013 as a class A device
Safety	EN/IEC 61010 third edition certified	EN/IEC 61010 third edition certified
Additional information	<ul style="list-style-type: none">• Integrated frequency converter• IEC connector + M/A IP40 switch• Sub-D 9-pin, female communication port• ATEX II 3G Ex Ex h IIB T4 Gc X certification (inside)	<ul style="list-style-type: none">• IP44 cable gland• Motor without integrated thermal protection• ATEX II 3G Ex Ex h IIB T4 Gc X certification (inside)

DO YOU WANT TO KNOW MORE?

Get in touch with us directly!



CONTACT FORM