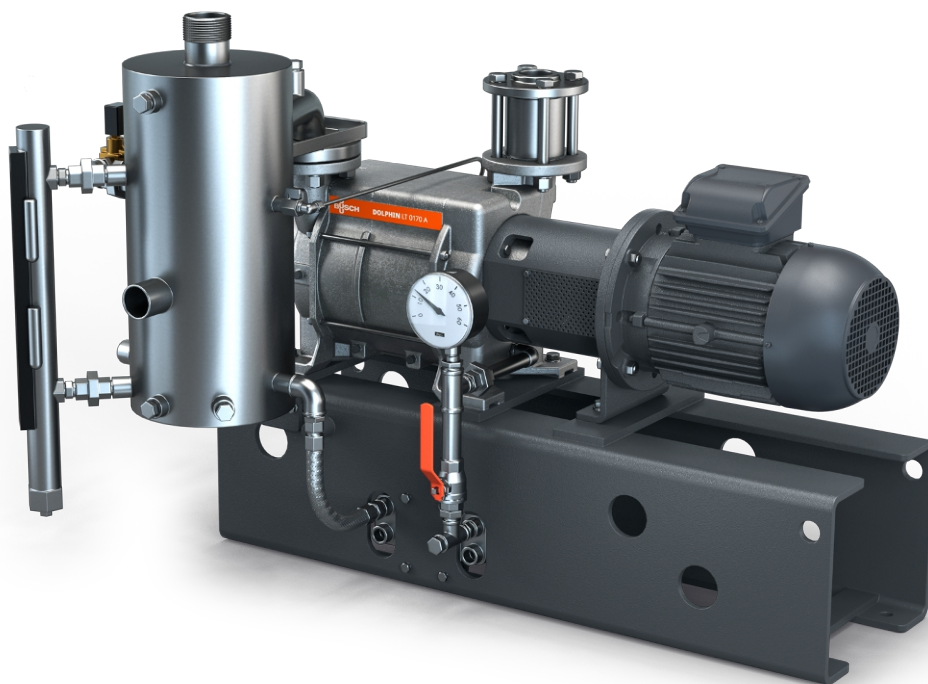


# DOLPHIN VL 0130-0320 A Total Recirculation

Liquid ring vacuum pump units



## Robust

Proven technology, reliable operation, corrosion-free stainless steel impeller, extremely high vapor and particle tolerance, choice of cast iron (EN-GJL-200) or 316 grade stainless steel material housings, ATEX-certified version available (Cat. 1 (i/o) IIC, T4)

## All-in-One

Unit with base frame, operating fluid separator, heat exchanger, control system, including inlet check valve, fresh liquid supply kit, level indicator with switches, temperature and pressure indicators and cavitation protection

## Efficient

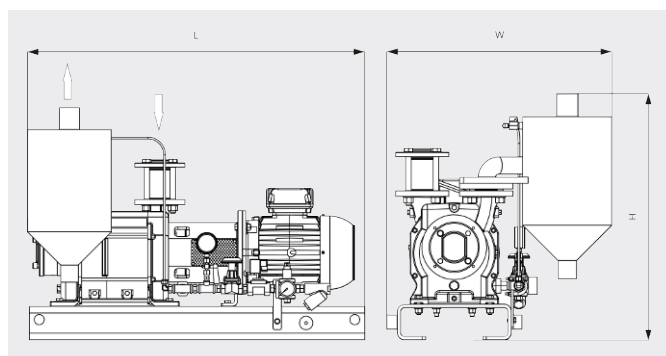
Full recirculation of operating fluid, low operating fluid consumption, recovery of condensed vapors and process gases, isolation of cooling liquid from operating fluid, operating fluids other than water possible

# DOLPHIN VL 0130-0320 A Total Recirculation

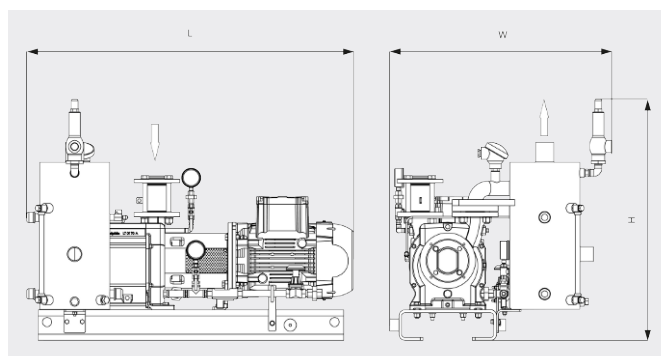
Liquid ring vacuum pump units



Dimensional drawing



Dimensional drawing



	DOLPHIN VL 0130 A Total Recirculation	DOLPHIN VL 0170 A Total Recirculation	DOLPHIN VL 0220 A Total Recirculation	DOLPHIN VL 0320 A Total Recirculation
<b>Nominal pumping speed</b>	105 / 128 m <sup>3</sup> /h (50 / 60 Hz)	144 / 162 m <sup>3</sup> /h (50 / 60 Hz)	203 / 230 m <sup>3</sup> /h (50 / 60 Hz)	255 / 320 m <sup>3</sup> /h (50 / 60 Hz)
<b>Ultimate pressure</b>	33 hPa (mbar) (50 / 60 Hz)	33 hPa (mbar) (50 / 60 Hz)	33 hPa (mbar) (50 / 60 Hz)	33 hPa (mbar) (50 / 60 Hz)
<b>Nominal motor rating</b>	3.0 / 4.0 kW (50 / 60 Hz)	4.0 / 5.5 kW (50 / 60 Hz)	5.5 / 7.5 kW (50 / 60 Hz)	7.5 / 11.0 kW (50 / 60 Hz)
<b>Weight approx.</b>	237 / 261 kg (Safe / ATEX)	247 / 277 kg (Safe / ATEX)	292 / 296 kg (Safe / ATEX)	409 / 456 kg (Safe / ATEX)
<b>Dimensions (L x W x H)</b>	1133 x 730 x 819 / 1133 x 737 x 960 mm (Safe / ATEX)	1133 x 730 x 819 / 1158 x 737 x 960 mm (Safe / ATEX)	1233 x 730 x 819 / 1303 x 737 x 960 mm (Safe / ATEX)	1390 x 893 x 1129 / 1412 x 946 x 1248 mm (Safe / ATEX)
<b>Gas inlet / outlet</b>	G 1½" / R 2"	G 1½" / R 2"	G 1½" / R 2"	G 2" / R 3"

DO YOU WANT TO KNOW MORE?

Get in touch with us directly!



CONTACT FORM