

# R5 KD 0012/0020 A

Oil-lubricated rotary vane vacuum pumps



VACUUM SOLUTIONS



## Compact

Direct-drive construction, reduced height and weight, specially designed for small packaging machines

## Reliable

High vapor tolerance, excellent condensation protection, optimum temperature management

## Easy servicing

Fast service routine, long service intervals, smooth surface design for easy cleaning

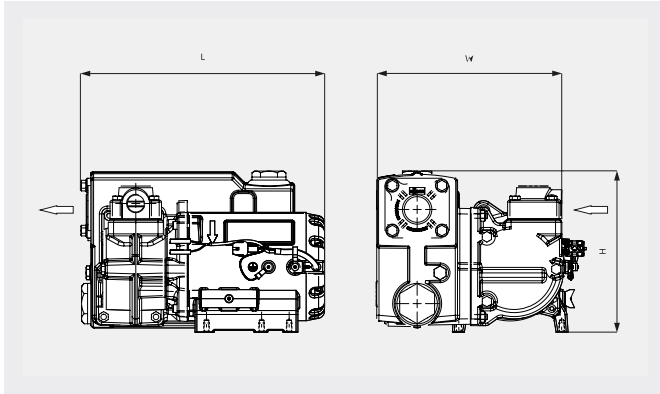
# R5 KD 0012/0020 A

Oil-lubricated rotary vane vacuum pumps



VACUUM SOLUTIONS

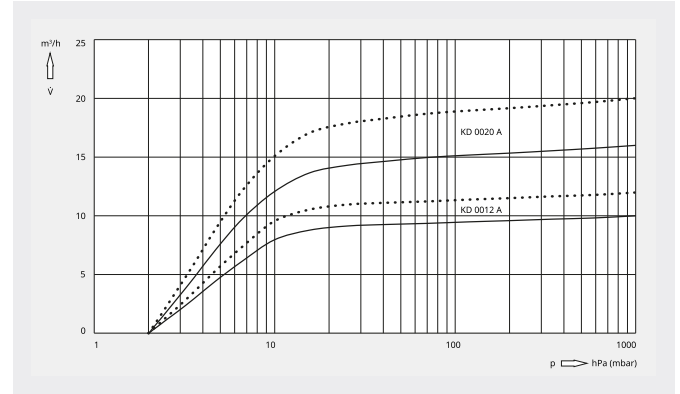
Dimensional drawing



Pumping speed

Air at 20°C. Tolerance: ± 10%

— 50 Hz ..... 60 Hz



	R5 KD 0012 A	R5 KD 0020 A
Nominal pumping speed	10 / 12 m³/h (50 / 60 Hz)	16 / 20 m³/h (50 / 60 Hz)
Ultimate pressure	2.0 hPa (mbar) (50 / 60 Hz)	2.0 hPa (mbar) (50 / 60 Hz)
Nominal motor rating	0.37 kW (50 / 60 Hz)	0.55 kW (50 / 60 Hz)
Nominal motor speed	3000 / 3600 min <sup>-1</sup> (50 / 60 Hz)	3000 / 3600 min <sup>-1</sup> (50 / 60 Hz)
Noise level (ISO 2151)	59 / 62 dB(A) (50 / 60 Hz)	59 / 62 dB(A) (50 / 60 Hz)
Oil capacity	0.35 l	0.35 l
Weight approx.	14 kg	15 kg
Dimensions (L x W x H)	265 x 215 x 175 mm	265 x 215 x 175 mm
Gas inlet / outlet	G ½"	G ½"

DO YOU WANT TO KNOW MORE?

Get in touch with us directly!



CONTACT FORM