

# R5 RA 1000/1600 A PLUS

Oil-lubricated rotary vane vacuum pumps



Discover all advantages of the product series R5 RA

## Control and monitoring

Ready for Industry 4.0 providing remote control, condition monitoring and communication protocols

## Cost savings

Reduced energy consumption and minimized operating costs

## Proven technology

Reliable operation thanks to R5 rotary vane vacuum technology

### Accessories

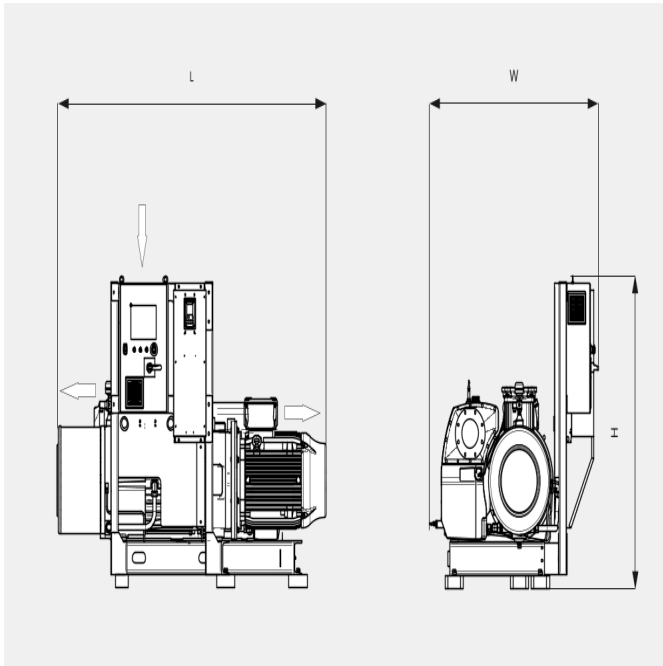
- Version without acoustic enclosure
- Energy Recuperation Kit with water heat exchanger

# R5 RA 1000/1600 A PLUS

Oil-lubricated rotary vane vacuum pumps

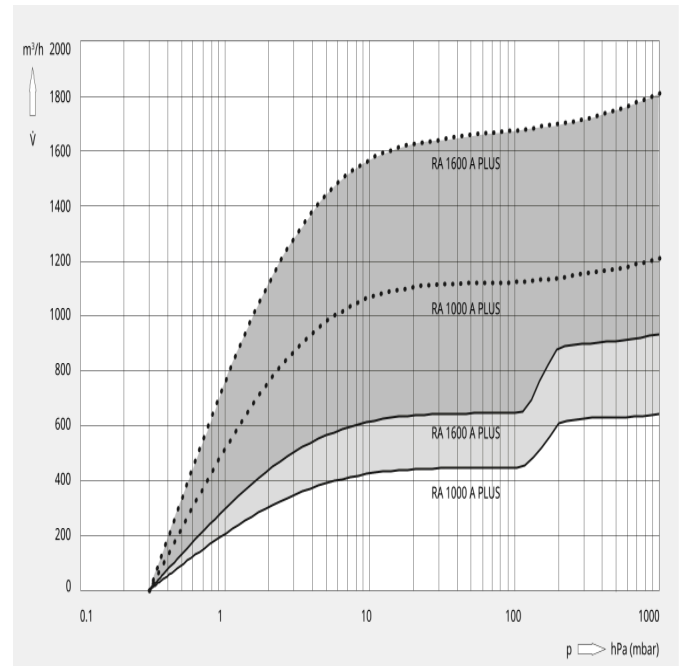


## Dimensional drawing



## Pumping speed

Air at 20 °C. Tolerance: ± 10%



The following technical values refer to ISO 50 Hz

	R5 RA 1000 A PLUS	R5 RA 1600 A PLUS
<b>Nominal pumping speed</b>	440 – 1200 m <sup>3</sup> /h	640 – 1800 m <sup>3</sup> /h
<b>Ultimate pressure</b>	0.3 hPa (mbar)	0.3 hPa (mbar)
<b>Nominal motor rating</b>	30 kW	37 kW
<b>Nominal motor speed</b>	500 – 1200 min <sup>-1</sup>	500 – 1200 min <sup>-1</sup>
<b>Power consumption at 100 mbar</b>	8.6 – 22.3 kW	12.8 – 35.9 kW
<b>Power consumption at ultimate pressure</b>	5.4 – 12.5 kW	6.9 – 19.0 kW
<b>Noise level (ISO 2151)</b>	65 – 79 dB(A)	69 – 83 dB(A)
<b>Oil capacity</b>	30 l	30 l
<b>Weight approx.</b>	1230 kg	1580 kg
<b>Dimensions (L x W x H)</b>	1964 x 1422 x 1451 mm	2198 x 1422 x 1451 mm
<b>Gas outlet</b>	DN 125	DN 125

# R5 RA 1000/1600 A PLUS

Oil-lubricated rotary vane vacuum pumps



	R5 RA 1000 A PLUS	R5 RA 1600 A PLUS
Gas inlet	DN 150	DN 150

The following technical values refer to ISO 60 Hz

	R5 RA 1000 A PLUS	R5 RA 1600 A PLUS
Nominal pumping speed	440 – 1200 m <sup>3</sup> /h	640 – 1800 m <sup>3</sup> /h
Ultimate pressure	0.3 hPa (mbar)	0.3 hPa (mbar)
Nominal motor rating	30 kW	37 kW
Nominal motor speed	500 – 1200 min <sup>-1</sup>	500 – 1200 min <sup>-1</sup>
Power consumption at 100 mbar	8.6 – 22.3 kW	12.8 – 35.9 kW
Power consumption at ultimate pressure	5.4 – 12.5 kW	6.9 – 19.0 kW
Noise level (ISO 2151)	65 – 79 dB(A)	69 – 83 dB(A)
Oil capacity	30 l	30 l
Weight approx.	1230 kg	1580 kg
Dimensions (L x W x H)	1964 x 1422 x 1451 mm	2198 x 1422 x 1451 mm
Gas outlet	DN 125	DN 125
Gas inlet	DN 150	DN 150

## DO YOU WANT TO KNOW MORE

Please contact us!  
sales@buschindia.com or +91 (0)124 475 1300



CONTACT FORM



CALL US NOW