

# R5 RA 0155 A

Oil-lubricated rotary vane vacuum pump



VACUUM SOLUTIONS



## Reliable

Robust construction, highly durable fiber-reinforced epoxy resin vanes, proven rotary vane technology, long service life

## High performance

High pumping speed at low pressures, designed for continuous operation in the rough vacuum range

## Flexible

Easy adaption to individual customer requirements and processes, level and temperature switch as standard

### Accessories

- Gas-ballast valve
- Various inlet filters
- Adapter flange for vacuum booster
- Filter pressure gauge
- Vacuum pump oils for all applications
- Oil level switch
- Temperature sensors
- Starter unit
- Oxygen version

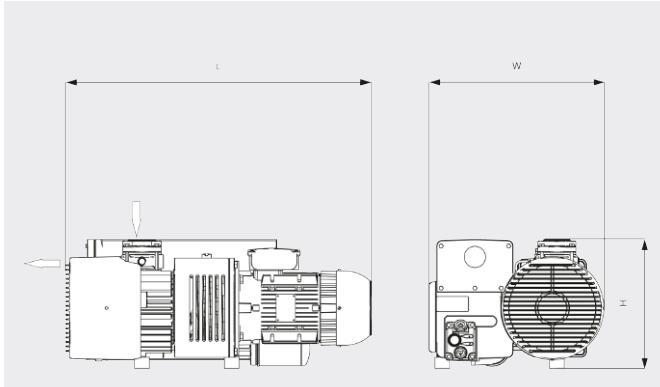
# R5 RA 0155 A

Oil-lubricated rotary vane vacuum pump



VACUUM SOLUTIONS

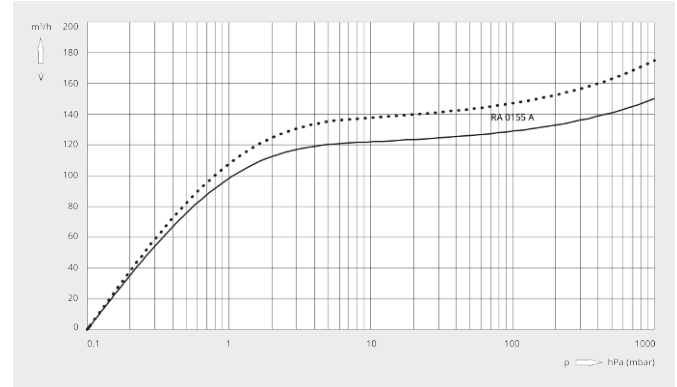
Dimensional drawing



Pumping speed

Air at 20°C. Tolerance: ± 10%

— 50 Hz ..... 60 Hz



| R5 RA 0155 A                           |  |
|--|--|
| Nominal pumping speed                  | 150 / 175 m³/h (50 / 60 Hz)                |
| Ultimate pressure                      | 0.1 hPa (mbar) (50 / 60 Hz)                |
| Nominal motor rating                   | 4.0 / 4.2 kW (50 / 60 Hz)                  |
| Nominal motor speed                    | 1500 / 1800 min <sup>-1</sup> (50 / 60 Hz) |
| Power consumption at 100 mbar          | 3.2 / 3.8 kW (50 / 60 Hz)                  |
| Power consumption at ultimate pressure | 2.1 / 2.5 kW (50 / 60 Hz)                  |
| Noise level (ISO 2151)                 | 70 / 72 dB(A) (50 / 60 Hz)                 |
| Oil capacity                           | 3.5 l                                      |
| Weight approx.                         | 110 kg                                     |
| Dimensions (L x W x H)                 | 765 x 470 x 340 mm                         |
| Gas inlet / outlet                     | G 2" / G 2"                                |

## DO YOU WANT TO KNOW MORE?

Get in touch with us directly!  
[sales@buschindia.com](mailto:sales@buschindia.com) or +91 (0)124 475 1300



CONTACT FORM



CALL NOW