

# FOSSA FO 0035 B

Scroll vacuum pumps



VACUUM SOLUTIONS



## Robust

Specially designed for analytical and scientific applications, for example leak detection, single-sided scroll design, dry compression, gas-tight, lifetime-lubricated bearings, minimal maintenance

## Easy servicing

No special tools necessary, modular design for rapid exchange of stages

## Quiet

Low noise and vibration levels, can be installed at workstations

Accessories, spare parts and options

- Inlet filter, FIL 0080
- Gas-ballast valve
- Gas-ballast adapter, dilution kit
- Four castor wheels
- Exhaust filter and silencer
- Tip seal replacement kit

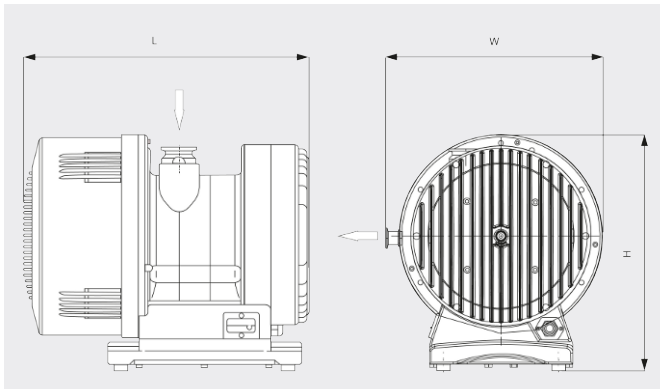
# FOSSA FO 0035 B

Scroll vacuum pumps



VACUUM SOLUTIONS

Dimensional drawing



Pumping speed

Air at 20°C. Tolerance: ± 10%

— 50 Hz ..... 60 Hz



	FOSSA FO 0035 B	FOSSA FO 0035 B
<b>Pumping speed</b>	35 / 42 m³/h (50 / 60 Hz)	35 / 42 m³/h (50 / 60 Hz)
<b>Pumping speed</b>	583 / 700 l/min (50 / 60 Hz)	583 / 700 l/min (50 / 60 Hz)
<b>Ultimate total pressure (gas-ballast valve closed)</b>	0.01 hPa (mbar)	0.01 hPa (mbar)
<b>Ultimate total pressure (gas-ballast valve open)</b>	0.09 hPa (mbar)	0.09 hPa (mbar)
<b>Max. continuous inlet pressure</b>	100 hPa (mbar)	100 hPa (mbar)
<b>Max. back pressure</b>	200 hPa (mbar) rel.	200 hPa (mbar) rel.
<b>Water vapor capacity (gas-ballast valve open)</b>	400 g/h	400 g/h
<b>Leakage rate (helium)</b>	< 1 · 10 <sup>-6</sup> mbar · l/s	< 1 · 10 <sup>-6</sup> mbar · l/s
<b>Nominal motor rating</b>	0.75 kW	0.75 kW
<b>Operating voltage</b>	100 – 240 V (50 / 60 Hz)	190 – 220 / 380 – 415 V (50 Hz) / 200 – 240 / 380 – 480 V (60 Hz)
<b>Motor phase</b>	Single-phase	Three-phase
<b>Ambient temperature</b>	5 – 40 °C	5 – 40 °C
<b>Vibration level at inlet (ISO 10816-1)</b>	Class 1B, < 1.5 mm · s <sup>-1</sup>	Class 1B, < 1.5 mm · s <sup>-1</sup>
<b>Noise level (ISO 2151)</b>	43 dB(A) (idle mode) / 60 dB(A) (max.)	43 dB(A) (idle mode) / 60 dB(A) (max.)
<b>Weight approx.</b>	50 kg	50 kg

# FOSSA FO 0035 B

Scroll vacuum pumps



	FOSSA FO 0035 B	FOSSA FO 0035 B
<b>Dimensions (L x W x H)</b>	462 x 338 x 369 mm	462 x 338 x 369 mm
<b>Gas inlet / outlet</b>	DN 40 ISO-KF / DN 16 ISO-KF	DN 40 ISO-KF / DN 16 ISO-KF
<b>Emissions and immunity</b>	EN 61236-1:2013 as a class A device	EN 61236-1:2013 as a class A device
<b>Safety</b>	EN/IEC 61010 third edition certified	EN/IEC 61010 third edition certified
<b>Additional information</b>	<ul style="list-style-type: none"><li>• Integrated frequency converter</li><li>• IEC connector + M/A IP40 switch</li><li>• Sub-D 9-pin, female communication port</li><li>• ATEX II 3G Ex Ex h IIB T4 Gc X certification (inside)</li></ul>	<ul style="list-style-type: none"><li>• IP44 cable gland</li><li>• Motor without integrated thermal protection</li><li>• ATEX II 3G Ex Ex h IIB T4 Gc X certification (inside)</li></ul>

## DO YOU WANT TO KNOW MORE?

Get in touch with us directly!  
[sales@buschindia.com](mailto:sales@buschindia.com) or +91 (0)124 475 1300



CONTACT FORM



CALL NOW