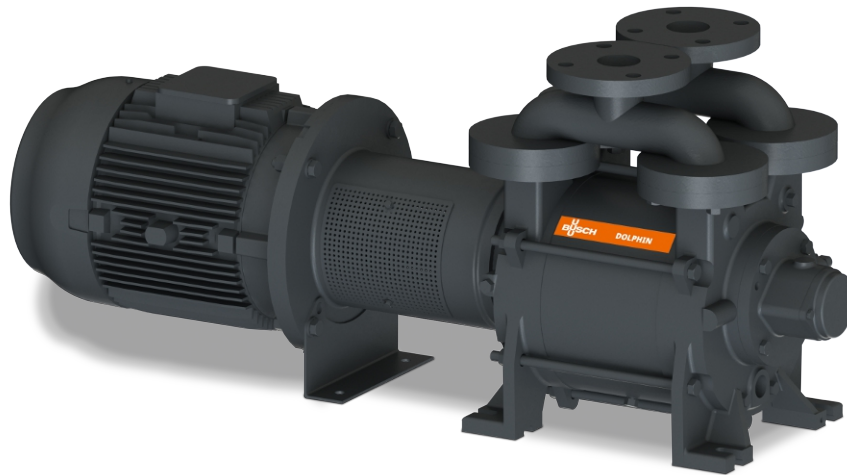


DOLPHIN LA 0224-0475 A

Liquid ring vacuum pumps



VACUUM SOLUTIONS



Robust

Proven technology, durable single-stage construction

Reliable

Extremely high vapor and particle tolerance

Flexible

Wide range of construction materials, including cast iron (EN-GJL-200), many grades of stainless steel and even titanium, ATEX-certified version available (Cat 1(i)/2(o) IIC T5), different operating fluids possible, operation as compressor possible

Accessories, spare parts and options

- Partial or total recirculation systems
- Liquid separator
- Cavitation protection
- Heat exchanger
- Gas ejector
- Wide selection of motors
- Non-return valves
- Vacuum relief valves

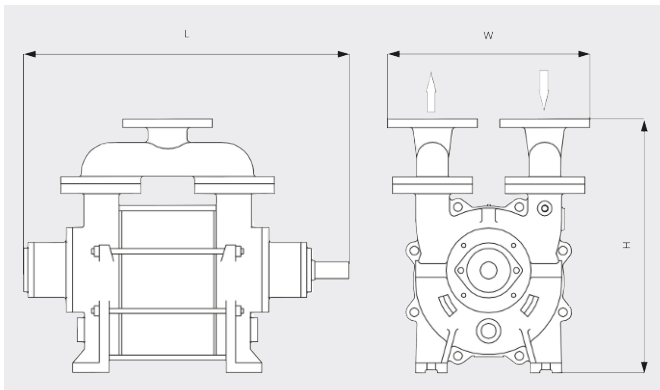
DOLPHIN LA 0224-0475 A

Liquid ring vacuum pumps



VACUUM SOLUTIONS

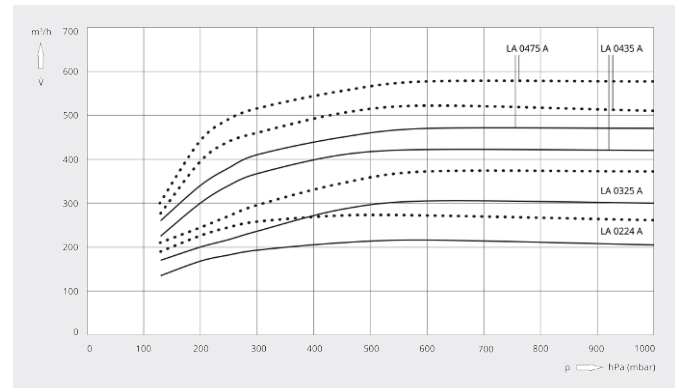
Dimensional drawing



Pumping speed

Air at 20°C. Tolerance: ± 10%

— 50 Hz 60 Hz



| | DOLPHIN LA 0224 A | DOLPHIN LA 0325 A | DOLPHIN LA 0435 A | DOLPHIN LA 0475 A |
|-------------------------------|--|--|--|--|
| Nominal pumping speed | 220 / 270 m³/h (50 / 60 Hz) | 320 / 350 m³/h (50 / 60 Hz) | 430 / 500 m³/h (50 / 60 Hz) | 470 / 570 m³/h (50 / 60 Hz) |
| Ultimate pressure | 130 hPa (mbar) (50 / 60 Hz) | 150 hPa (mbar) (50 / 60 Hz) | 150 hPa (mbar) (50 / 60 Hz) | 130 hPa (mbar) (50 / 60 Hz) |
| Nominal motor rating | 5.5 / 7.5 kW (50 / 60 Hz) | 11 / 15 kW (50 / 60 Hz) | 11 / 15 kW (50 / 60 Hz) | 18.5 / 22 kW (50 / 60 Hz) |
| Nominal motor speed | 1450 / 1750 min ⁻¹ (50 / 60 Hz) | 1450 / 1750 min ⁻¹ (50 / 60 Hz) | 1450 / 1750 min ⁻¹ (50 / 60 Hz) | 1450 / 1750 min ⁻¹ (50 / 60 Hz) |
| Noise level (ISO 2151) | 72 dB(A) (50 / 60 Hz) | 75 dB(A) (50 / 60 Hz) | 75 dB(A) (50 / 60 Hz) | 74 dB(A) (50 / 60 Hz) |
| Weight approx. | 94 kg | 159 kg | 159 kg | 210 kg |
| Dimensions (L x W x H) | (547 – 713) x 270 x 450 mm | (626 – 817) x 300 x 387 mm | (667 – 857) x 300 x 520 mm | (797 – 787) x 300 x 520 mm |
| Gas inlet / outlet | DN 50 PN 10 / DN 50 PN 10 | DN 50 PN 10 / DN 50 PN 10 | DN 65 PN 10 / DN 65 PN 10 | DN 65 PN 10 / DN 65 PN 10 |

DO YOU WANT TO KNOW MORE?

Get in touch with us directly!
sales@buschindia.com or +91 (0)124 475 1300



CONTACT FORM



CALL NOW