

Instruction Manual

VacTest

Vacuum Measurement Equipment

Analog Transmitter GRP 100-200



CE EAC

Busch Produktions GmbH
Schauinslandstraße 1, 79689 Maulburg
Germany

Table of Contents

- 1 Safety..... 3**
- 2 Product Description 4**
 - 2.1 Product Identification4
 - 2.2 Delivery Content4
 - 2.3 Proper Use4
 - 2.4 Improper Use4
- 3 Transport and Storage..... 4**
- 4 Installation..... 5**
 - 4.1 Installation Conditions5
 - 4.2 Vacuum Connection5
 - 4.3 Electrical Connection7
 - 4.3.1 Connecting to the Active Sensor Controller.....7
 - 4.3.2 I/O and Communication Port Schematic.....7
- 5 Operation 8**
 - 5.1 Before Operation..... 8
 - 5.2 Readjustment8
 - 5.2.1 Readjustment by Pushbutton9
- 6 Maintenance and Service 10**
- 7 Troubleshooting..... 10**
- 8 Accessories 11**
- 9 Technical Data 11**
- 10 EU Declaration of Conformity 13**

1 Safety

- Read and follow the instructions of this manual.
- Inform yourself regarding hazards, which can be caused by the product or arise in your system.
- Comply with all safety instructions and regulations for accident prevention.
- Check regularly that all safety requirements are being complied with.
- Take account of the ambient conditions when installing your gauge. The protection class is IP 40 for GPR 100 and IP 54 for GPR 200.
- Adhere to the applicable regulations and take the necessary precautions for the process media used.
- Consider possible reactions between materials and process media.
- Consider possible reactions of the process media due to the heat generated by the product.
- Before you start working, find out whether any of the vacuum components are contaminated.
- Adhere to the relevant regulations and take the necessary precautions when handling contaminated parts.
- Communicate the safety instructions to other users.

This instruction manual highlights potential hazards where appropriate. Safety notes and warning messages are tagged with one of the keywords DANGER, WARNING, CAUTION, NOTICE and NOTE as follows:

DANGER

... indicates an imminent dangerous situation that will result in death or serious injuries if not prevented.

WARNING

... indicates a potentially dangerous situation that could result in death or serious injuries.

CAUTION

... indicates a potentially dangerous situation that could result in minor injuries.

NOTICE

... indicates a potentially dangerous situation that could result in damage to property.

NOTE

... indicates helpful tips and recommendations, as well as information for efficient and trouble-free operation.

2 Product Description

The analog transmitters GRP 100 and GRP 200 are piezoresistive vacuum gauges providing gas type independent pressure measurements.

Equipped with a robust sensor made of aluminium oxide ceramic, this device combines high reliability and resistance to contamination.

2.1 Product Identification

The product model can be found on the product's nameplate. Technical modifications are reserved without prior notification.

2.2 Delivery Content

Included in the delivery consignment are:

- Analog transmitter GRP 100 or GRP 200
- Protective cover
- Instruction manual

Available accessories, consult the chapter Spare Parts and Accessories.

2.3 Proper Use

The GRP 100 or GRP 200 serves exclusively to measure total pressure in a range of:

- 1400 ... 1 mbar

The gauge is classified in electromagnetic interference class A and therefore can cause radio interference in living quarters.

2.4 Improper Use

The use for purposes not mentioned above is regarded as improper, especially:

- Connection to pumps or units which are not suitable for this purpose according to their operating instructions.
- Connection to units which have exposed voltage-carrying parts.
- Operation of the devices in areas with ionizing radiation.

No liability or warranty will be accepted for claims arising from improper use.

3 Transport and Storage

- Check the device for transport damage.

NOTICE

Devices without external protection.

Risk of damage to the device!

- The device must not come into contact with electrostatically chargeable materials and must not be moved within electrical or high magnetic fields.

If a storage is planned:

- Seal the vacuum flange with the protective cover.
- Comply with the storage temperatures, see technical data.

- In rooms with moist or aggressive atmospheres, the device must be airproof shrink-wrapped in a plastic bag together with a bag a desiccant.

4 Installation

CAUTION

Unauthorized modifications.

Risk to injury!

- Modifications or conversions of the gauge are not allowed.

4.1 Installation Conditions

- Make sure that the environment of the device is not potentially explosive.
- Make sure that the ambient conditions comply with the Technical Data [► 11].

4.2 Vacuum Connection

CAUTION

Unintended opening of clamp with an overpressure in the vacuum system over 1000 mbar.

Risk to injury!

Damage to your health!

- Parts may fly around.
- Unsecured hose connections can release process media.

CAUTION

Overpressure in the vacuum system over 1500 mbar

Damage to your health!

The elastomer washers cannot withstand the pressure and can release process media.

- Use sealing rings with an outer centering ring.

NOTICE

Dirt and damage at the vacuum flange.

Impair the function of the gauge!

- Make sure that the flange is clean, dry and free of grease.
- When handling the instrument, make sure that the flange is protected against dirt and damage.
- Remove the protective cover (is required again during maintenance work!).
- Connect the flange to the system.

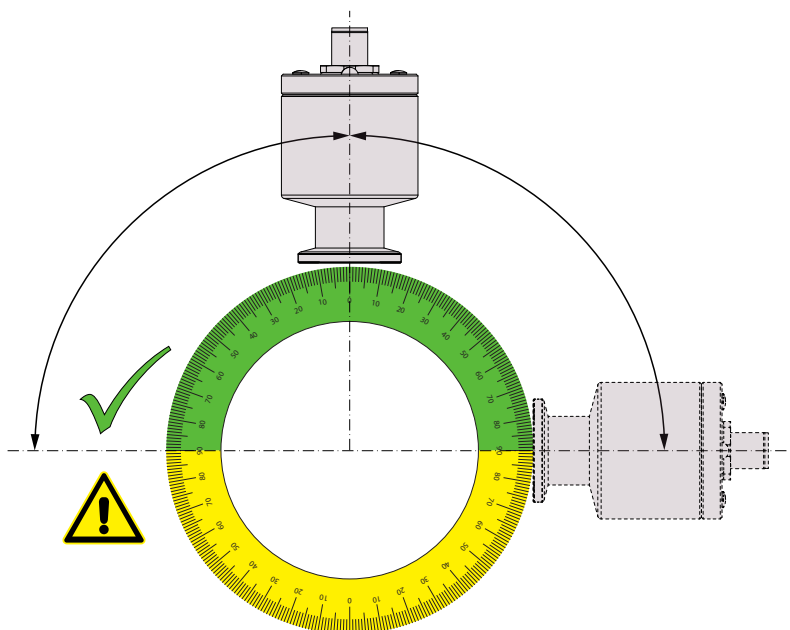
Connection size:

- ISO KF 16
- G1/4 (female)

- Make sure that the sensor flange is connected to the ground.

Mounting position:

The installation position can be freely selected. The preferred position is a horizontal to vertical position so that condensate and particles do not penetrate the measurement chamber.



4.3 Electrical Connection

! NOTICE

Establish a connection using a live cable.

Risk of damage to the device!

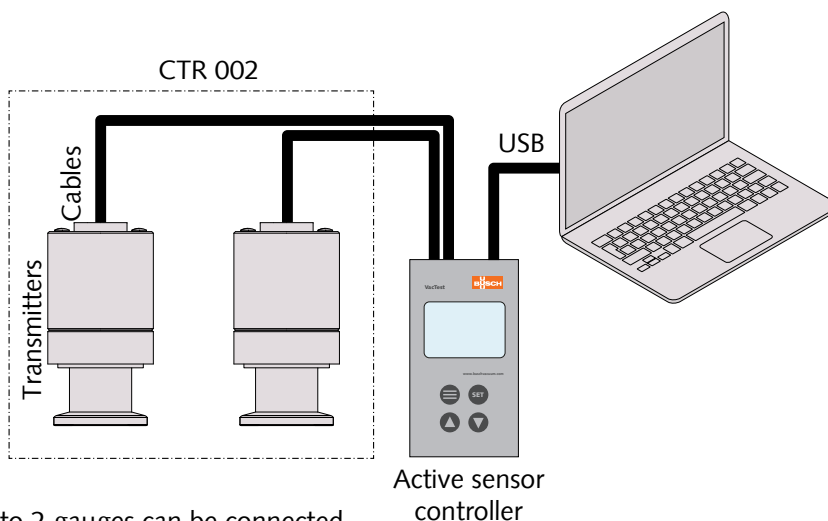
- Only connect cables when de-energised.

4.3.1 Connecting to the Active Sensor Controller

For operation of the gauge with controller, a suitable measurement connection cable must be used (see accessories).

i NOTE

Connection to the controller can only be done with 0 ... 10 V analog transmitters.



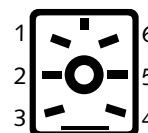
With the controller CTR 002: up to 2 gauges can be connected.

- Connect the cable from the controller to the gauge.
- Switch on the controller.

4.3.2 I/O and Communication Port Schematic

For GRP 100:

Connector:
Hirschmann, 6-pin, male



Pin no.	Description	Pin no.	Description
1	Line-Terminating Resistor	2	Signal Output: 0 ... 10 V
3	Signal Ground: AGND	4	Power Supply VCC: 15 ... 30 VDC
5	Power Supply Common: GND	6	Ground

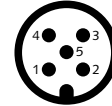
i NOTE

"Ground" (Pin 6) and supply common (Pin 5) must always be grounded.

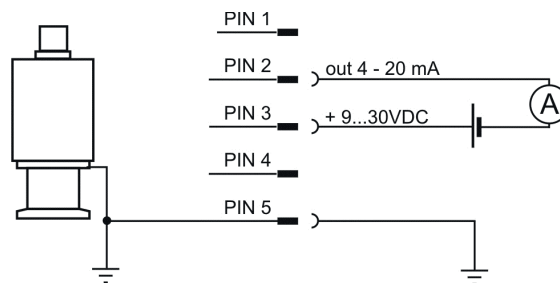
For GRP 200:

Connector:

Type M12 A, 5-pin, male



Pin no.	Description	Pin no.	Description
1	N/A (do not connect)	2	Output 4 ... 20 mA
3	Power Supply: +9 to +30 VDC	4	N/A (do not connect)
5	Ground		

**! NOTICE**

Incorrect supply voltage.

Risk of damage to the device!

- Make sure to supply a correct and admissible voltage.

i NOTE

Maximum admissible load resistor in Ω :

(supply voltage (V) – 9 V) / 0.02 A

5 Operation

5.1 Before Operation

Warm-Up Time

The signal output of the gauge is available immediately after the is switched on.

5.2 Readjustment

The gauge is factory calibrated in upright position. Other orientations, different climatic conditions, extreme temperature changes, ageing or contamination may necessitate re-adjustment.

i NOTE

Conduct adjustment at the same ambient temperature at which the device is typically operated.

i NOTE

For zero adjustment actual pressure should be less than 0.1 mbar.

i NOTE

To achieve optimum results of the adjustment we recommend to consider a warm-up of at least 5 minutes at the appropriate calibration pressure before any adjustment.

5.2.1 Readjustment by Pushbutton

- Refer to the Technical Data [► 11] to know the output function of the gauge.

Readjustment on atmosphere or zero pressure can be done by means of the “Adj” pushbutton of the gauge. The gauge will notice automatically which adjustment point is relevant.

The adjustment at zero pressure is an offset compensation of the measurement signal.

i NOTE

For zero adjustment, the real pressure must be less than 0.1 mbar.

An adjustment at zero pressure is only possible, if the gauge pressure reading is below 100 mbar.

The output signal of the GRP 100 at zero pressure should equal 1.000 V.

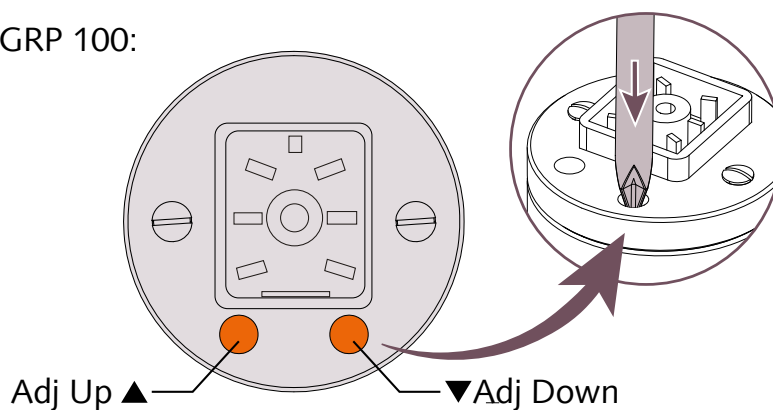
The output signal of the GRP 200 at zero pressure should equal 4.000 mA.

i NOTE

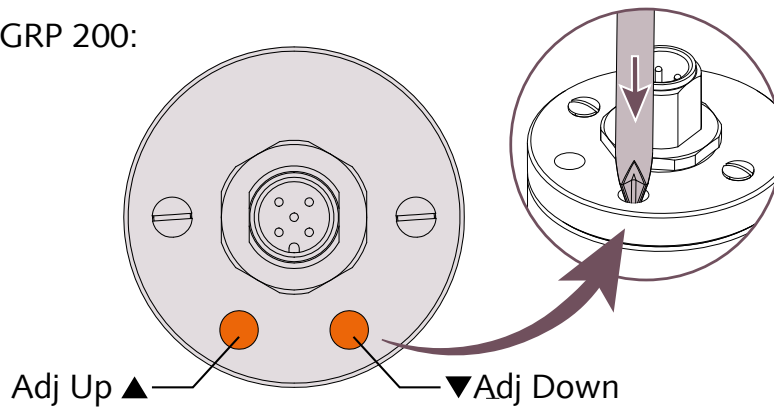
For an adjustment at atmosphere pressure, real pressure and pressure reading of the transmitter must be above 800 mbar.

The adjustment of the gauge should be done according its corresponding output function described in the technical data.

GRP 100:



GRP 200:



- Remove the rubber caps above the “Adj” pushbuttons.
 - Press the button “up” to increase the output signal or the button “down” to decrease the output signal by means of a small screwdriver or similar tool.
- If no further button is pressed after 5 s, the adjusted voltage or current is set.
- Reinsert the rubber caps.

6 Maintenance and Service



WARNING

Units contaminated with hazardous material.

Risk of poisoning!

Risk of infection!

If the unit is contaminated with hazardous material:

- Wear appropriate personal protective equipment.

The device requires no maintenance. External dirt and soiling can be removed by a damp cloth.

Should a defect or damage occur on the device, please send the unit to us for repair and fulfil the declaration of decontamination downloadable from www.buschvacuum.com.

NOTE

Malfunction of the unit, which is caused by contamination or wear and tear is not covered by warranty.

7 Troubleshooting

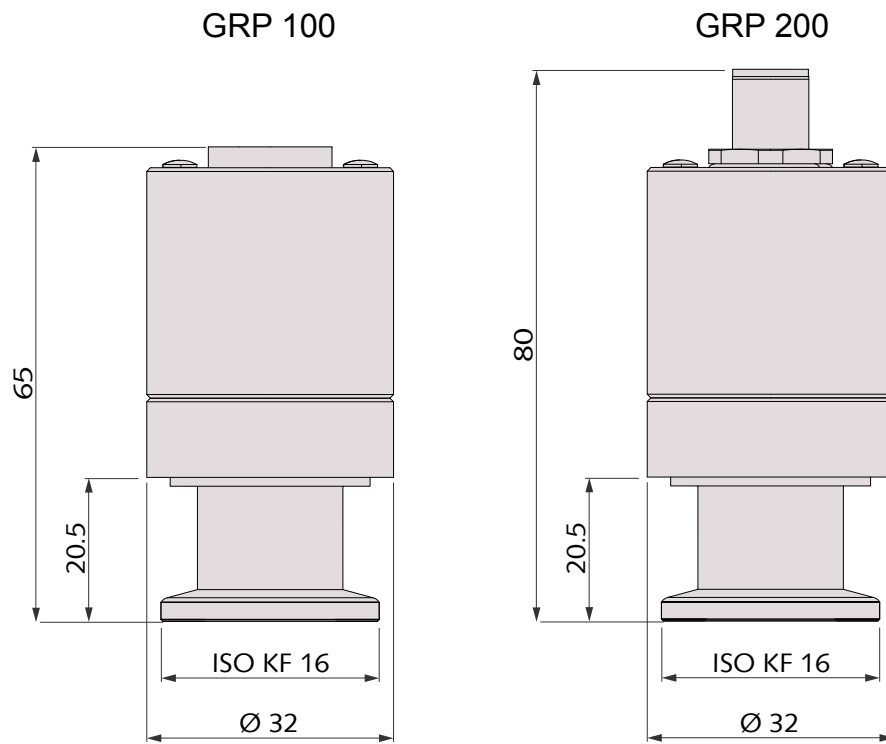
Problem	Possible Cause	Remedy
High measurement error.	Contamination, ageing, extreme temperature, maladjustment.	• Readjustment.
Output signal < 3.6 mA or Output signal < 0.5 V	Defective unit or sensor.	• Send unit for repair.
Adjustment not possible	Measurement error exceeds possible range of readjustment.	• Send unit for repair.

8 Accessories

Controller	Description	Part no.
Active Sensor Controller (0 ... 10 V sensors only)	CTR 002, 2 channels	0656 202 928
Accessory	Description	Part no.
Connecting cable	0 ... 10 V cable for CTR 002 – 2 meters	0671 204 566
Connecting cable	0 ... 10 V cable for CTR 002 – 6 meters	0671 204 567
Connecting cable	0 ... 10 V cable for CTR 002 – 10 meters	0671 204 568
Connecting cable	0 ... 10 V cable for CTR 002 – 20 meters	0671 204 569
Connecting cable	0 ... 10 V cable with open ends – 2 meters	0671 204 570
Connecting cable	0 ... 10 V cable with open ends – 6 meters	0671 204 571
Connecting cable	0 ... 10 V cable with open ends – 10 meters	0671 204 572
Mating plug	0 ... 10 V	0680 204 574
Mating plug	4 ... 20 mA	0680 204 573

9 Technical Data

		VacTest GRP 100	VacTest GRP 200
Measurement principle		Piezoresistive	
Materials exposed to vacuum		Stainless steel 1.4305, Al ₂ O ₃ ceramic, FKM	
Measuring range	mbar	1400 ... 1	
	torr	750 ... 0.75	
Overpressure limit	bar abs.	4	
Measurement uncertainty	% full scale	< 0.3 %	
Leakage rate	mbar l/s	< 5 x 10 ⁻¹⁰	
Reaction time	ms	< 20	
Electrical Connection		Hirschmann, 6-pin	M12 A, 5-pin
Supply voltage	V	15 ... 30	9 ... 30
Max. power consumption	W	0.6	
Output signal		0 ... 10 V	4 ... 20 mA
Output function		0.005 x p _{mbar} + 1 = out (V)	2/175 x p _{mbar} + 4 = out (mA)
Error		< 0.5 V	< 3.6 mA
Operating Temperature	°C	+5 ... +60	
Storage Temperature	°C	-40 ... +70	
Relative Humidity:		5 ... 85%, not condensing	
Protection Class		IP 40	IP 54
Weight	g	120	



10 EU Declaration of Conformity

This Declaration of Conformity and the CE-mark affixed to the nameplate are valid for the gauge within the Busch scope of delivery. This Declaration of Conformity is issued under the sole responsibility of the manufacturer.

The manufacturer

Busch Produktions GmbH
Schauinslandstr. 1
DE-79689 Maulburg

declare that the gauge VacTest GRP 100 or GRP 200

has been manufactured in accordance with the European Directives:

- 'Electromagnetic Compatibility (EMS) ' 2014/30/EU
- 'RoHS' 2011/65/EU, restriction of the use of certain hazardous substances in electrical and electronic equipment

and following the standards.

Standard	Title of the Standard
EN 61326-1:2013 Group 1 / Class B	Electrical equipment for measurement, control and laboratory use. EMC requirements. General requirements
EN 50581:2012	Technical documentation for the assessment of electrical and electronic products with respect to the restriction of hazardous substances

Person authorised to compile the technical file:

Gerd Rohweder
 Busch Dienste GmbH
 Schauinslandstr. 1
 DE-79689 Maulburg

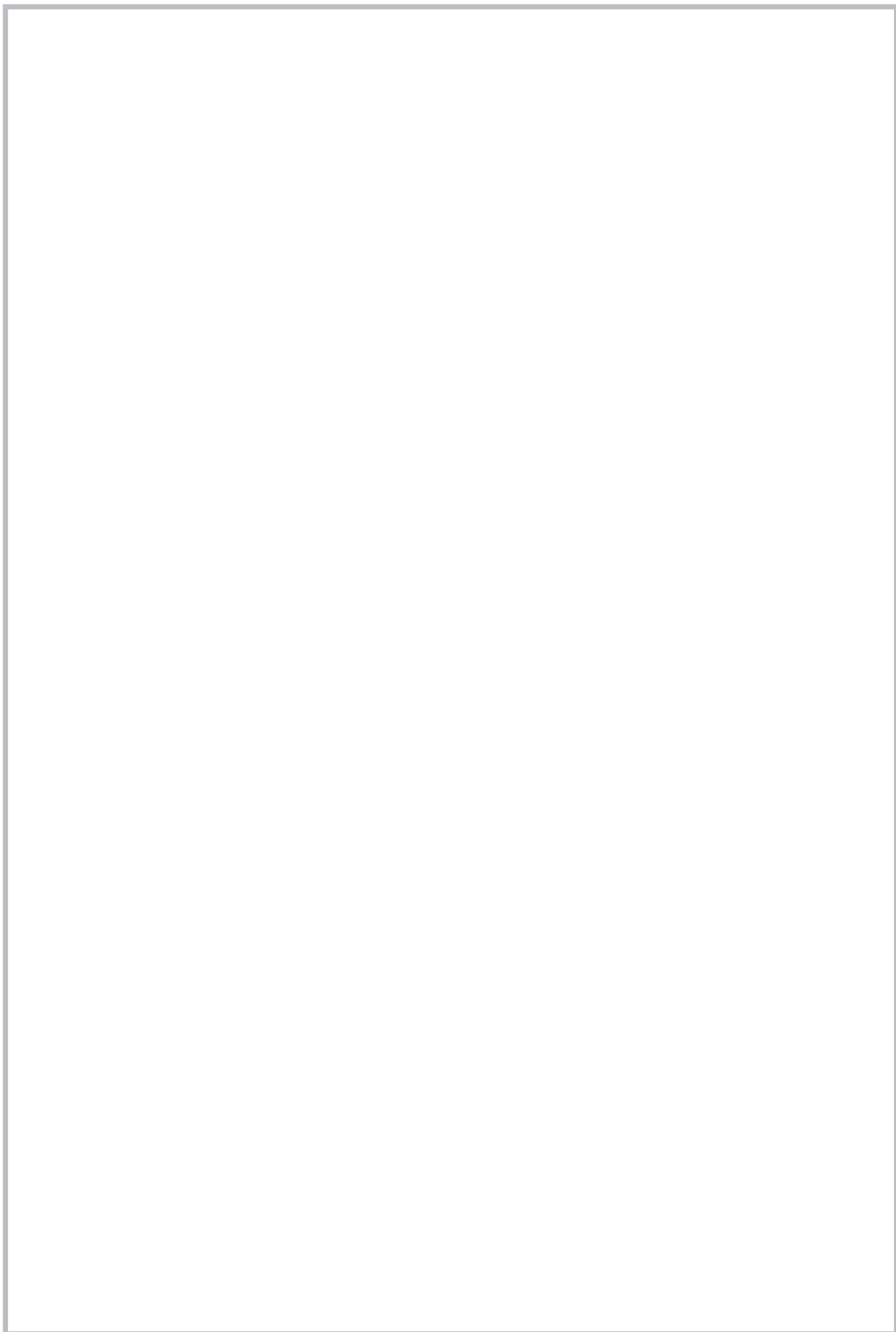
Maulburg, 24.08.2017



Martin Gutmann, General director

Note

A large, empty rectangular box with a thin gray border, occupying most of the page below the 'Note' header. It is intended for the user to write their notes.

A large, empty rectangular box with a thin gray border, occupying most of the page. It is intended for writing a note.

Busch Vacuum Pumps and Systems

All over the World in Industry

Argentina

www.busch-vacuum.com.ar

Australia

www.busch.com.au

Austria

www.busch.at

Belgium

www.busch.be

Brazil

www.buschdobrasil.com.br

Canada

www.busch.ca

Chile

www.busch.cl

China

www.busch-china.com

Colombia

www.buschvacuum.co

Czech Republic

www.buschvacuum.cz

Denmark

www.busch.dk

Finland

www.busch.fi

France

www.busch.fr

Germany

www.busch.de

Hungary

www.buschvacuum.hu

India

www.buschindia.com

Ireland

www.busch.ie

Israel

www.busch.co.il

Italy

www.busch.it

Japan

www.busch.co.jp

Korea

www.busch.co.kr

Malaysia

www.busch.com.my

Mexico

www.busch.com.mx

Netherlands

www.busch.nl

New Zealand

www.busch.com.au

Norway

www.busch.no

Peru

www.busch.com.pe

Poland

www.busch.com.pl

Portugal

www.busch.pt

Russia

www.busch.ru

Singapore

www.busch.com.sg

South Africa

www.busch.co.za

Spain

www.buschiberica.es

Sweden

www.busch.se

Switzerland

www.busch.ch

Taiwan

www.busch.com.tw

Thailand

www.busch.co.th

Turkey

www.buschvacuum.com

United Arab Emirates

www.busch.ae

United Kingdom

www.busch.co.uk

USA

www.buschusa.com

