

# MINK MV 0040-0080 D Synchro

Dry claw vacuum pumps



VACUUM SOLUTIONS



## Quiet

Low noise level due to a state-of-the-art acoustic design, significantly reduced pulsation, can be installed at workstations

## Efficient

Latest claw vacuum technology, intelligent variable speed drive with PID controller, low energy consumption, minimized operating costs

## Compact

Small footprint

### Accessories

- Parameter configuration kit for alteration of control settings by computer, including software
- Fieldbus modules
- Pressure transmitter for pressure-regulated vacuum pump operation
- Inlet filter
- Condensate drain valve (Aqua version)
- Manual control unit for easy vacuum pump control

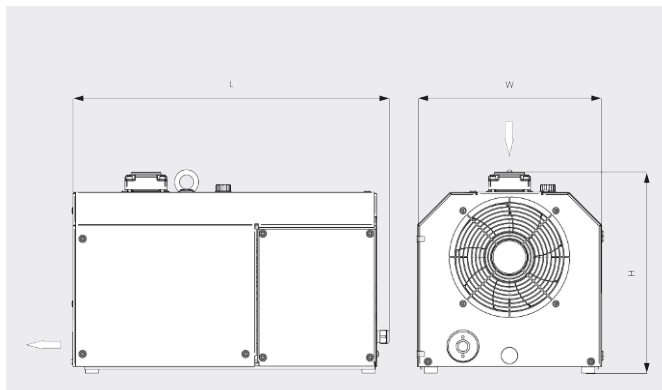
# MINK MV 0040-0080 D Synchro

Dry claw vacuum pumps



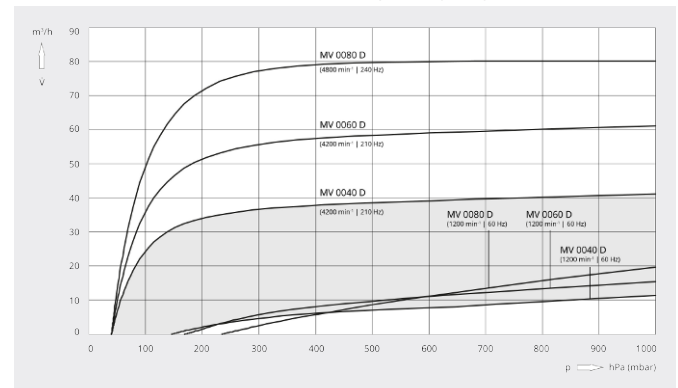
VACUUM SOLUTIONS

Dimensional drawing



Pumping speed  
Air at 20°C. Tolerance: ± 10%

■ Operating range



	MINK MV 0040 D Synchro	MINK MV 0060 D Synchro	MINK MV 0080 D Synchro
Nominal pumping speed	40 m³/h	60 m³/h	80 m³/h
Ultimate pressure	40 hPa (mbar)	40 hPa (mbar)	40 hPa (mbar)
Power consumption (motor and fan)	1.3 kW	1.7 kW	2.1 kW
Nominal motor speed	1200 – 4200 min <sup>-1</sup>	1200 – 4200 min <sup>-1</sup>	1200 – 4800 min <sup>-1</sup>
Noise level (ISO 2151)	62 dB(A)	68 dB(A)	71 dB(A)
Weight approx.	80 kg	85 kg	87 kg
Dimensions (L x W x H)	585 x 345 x 370 mm	610 x 345 x 370 mm	610 x 345 x 370 mm
Gas inlet / outlet	G 1¼" / G ¾"	G 1¼" / G ¾"	G 1¼" / G ¾"

DO YOU WANT TO KNOW MORE?

Get in touch with us directly!  
sales@buschindia.com or +91 (0)124 475 1300



CONTACT FORM



CALL NOW