

TYR WT 0100-0730 CV/CP

Rotary lobe blowers



Efficient

Effective compression and gas transport, flow-optimized blower stages, low energy consumption, minimized operating costs, minimal maintenance

Quiet

Innovative acoustic insulation concept, integrated inlet and outlet silencers

Robust

Durable construction, contact-free operating principle, fixed bearings on drive side for perfect belt alignment, variable speed gearing

Accessories

- Oil filler unit
- Non-return valve
- Vacuum regulating valve (for vacuum version)
- Rubber and stainless steel expansion joints
- Electronic filter monitoring
- Temperature monitoring device
- Oil temperature sensors
- Nickel coating of stage
- V-belt guard for versions with acoustic enclosure
- Start-up relief valve
- High-performance filter for media with elevated dust content (for vacuum version)
- Resonant pulsation silencer
- Water cooling system (water-air or water-water)
- C 4 corrosion protection version
- Acoustic enclosure (optionally with all-weather finish for outdoor applications)
- Pulsation silencer without absorption material
- Speed control unit

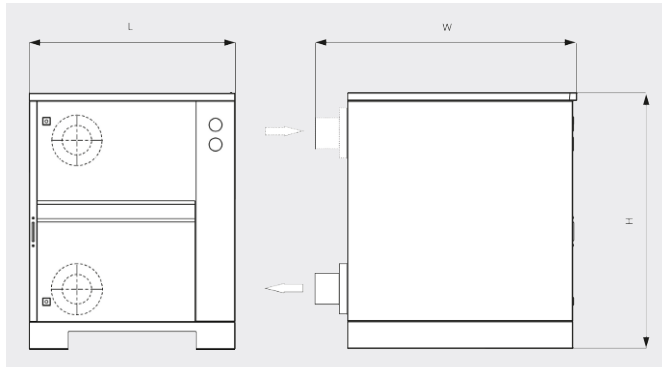
TYR WT 0100-0730 CV/CP

Rotary lobe blowers

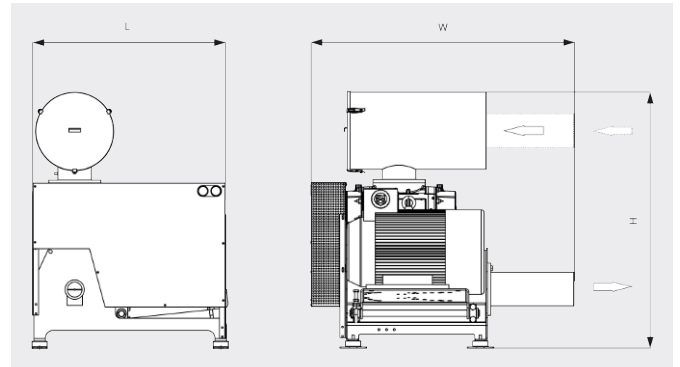


VACUUM SOLUTIONS

Dimensional drawing
(with acoustic enclosure)



Dimensional drawing
(without acoustic enclosure)



| | TYR WT 0100 CV | TYR WT 0150 CV | TYRWT 0280 CV | TYR WT 0390 CV |
|---|---|---|--|--|
| Volume flow | 2.5 – 10.0 m ³ /min | 3.7 – 15.0 m ³ /min | 5.1 – 28.0 m ³ /min | 7.1 – 39.0 m ³ /min |
| Max. differential pressure | -500 hPa (mbar) | -500 hPa (mbar) | -500 hPa (mbar) | -500 hPa (mbar) |
| Nominal motor rating | 1.5 – 22.0 kW | 3.0 – 37.0 kW | 3.0 – 55.0 kW | 3.0 – 55.0 kW |
| Blower speed | 1150 – 4700 min ⁻¹ | 1150 – 4700 min ⁻¹ | 850 – 4700 min ⁻¹ | 850 – 4700 min ⁻¹ |
| Weight approx. (without/with acoustic enclosure) | 180 / 295 kg | 197 / 312 kg | 346/ 535 kg | 372 / 561 kg |
| Dimensions (L x W x H) (without/with acoustic enclosure) | 690 x 1080 x 1028 / 800 x 1157 x 1082 mm | 690 x 1080 x 1028 / 800 x 1157 x 1082 mm | 920 x 1218 x 1251 / 1050 x 1269 x 1302 mm | 920 x 1218 x 1251 / 1050 x 1269 x 1302 mm |
| Gas inlet / outlet | Ø 114 mm | Ø 114 mm | Ø 159 mm | Ø 159 mm |

| | TYR WT 0600 CV | TYR WT 0730 CV |
|---|--|--|
| Volume flow | 12.0 – 60.0 m ³ /min | 15.4 – 73.0 m ³ /min |
| Max. differential pressure | -500 hPa (mbar) | -500 hPa (mbar) |
| Nominal motor rating | 11.0 – 90.0 kW | 11.0 – 90.0 kW |
| Blower speed | 750 – 4050 min ⁻¹ | 750 – 3550 min ⁻¹ |
| Weight approx. (without/with acoustic enclosure) | 711 / 1014 kg | 750 / 1053 kg |
| Dimensions (L x W x H) (without/with acoustic enclosure) | 1250 x 1705 x 1660 / 1450 x 1760 x 1732 mm | 1250 x 1705 x 1660 / 1450 x 1760 x 1732 mm |
| Gas inlet / outlet | Ø 219 mm | Ø 219 mm |

TYR WT 0100-0730 CV/CP

Rotary lobe blowers



VACUUM SOLUTIONS

| | TYR WT 0100 CP | TYR WT 0150 CP | TYR WT 0280 CP | TYR WT 0390 CP |
|--|---|---|--|--|
| Volume flow | 2.5 – 10.0 m ³ /min | 3.7 – 15.0 m ³ /min | 5.1 – 28.0 m ³ /min | 7.1 – 39.0 m ³ /min |
| Max. differential pressure | +1000 hPa (mbar) | +1000 hPa (mbar) | +1000 hPa (mbar) | +1000 hPa (mbar) |
| Nominal motor rating | 1.5 – 22.0 kW | 3.0 – 37.0 kW | 3.0 – 55.0 kW | 3.0 – 55.0 kW |
| Blower speed | 1150 – 4700 min ⁻¹ | 1150 – 4700 min ⁻¹ | 850 – 4700 min ⁻¹ | 850 – 4700 min ⁻¹ |
| Weight approx. (without/with acoustic enclosure) | 180 / 295 kg | 197 / 312 kg | 346 / 535 kg | 372 / 561 kg |
| Dimensions (L x W x H) (without/with acoustic enclosure) | 690 x 1080 x 1028 / 800 x 1157 x 1082 mm | 690 x 1080 x 1028 / 800 x 1157 x 1082 mm | 920 x 1218 x 1251 / 1050 x 1269 x 1302 mm | 920 x 1218 x 1251 / 1050 x 1269 x 1302 mm |
| Gas inlet / outlet | Ø 114 mm | Ø 114 mm | Ø 159 mm | Ø 159 mm |

| | TYR WT 0600 CP | TYR WT 0730 CP |
|--|--|--|
| Volume flow | 12.0 – 60.0 m ³ /min | 15.4 – 73.0 m ³ /min |
| Max. differential pressure | +1000 hPa (mbar) | +1000 hPa (mbar) |
| Nominal motor rating | 11.0 – 90.0 kW | 11.0 – 90.0 kW |
| Blower speed | 750 – 4050 min ⁻¹ | 750 – 3550 min ⁻¹ |
| Weight approx. (without/with acoustic enclosure) | 711 / 1014 kg | 750 / 1053 kg |
| Dimensions (L x W x H) (without/with acoustic enclosure) | 1250 x 1705 x 1660 / 1450 x 1760 x 1732 mm | 1250 x 1705 x 1660 / 1450 x 1760 x 1732 mm |
| Gas inlet / outlet | Ø 219 mm | Ø 219 mm |

DO YOU WANT TO KNOW MORE?

Get in touch with us directly!
sales@buschindia.com or +91 (0)124 475 1300



CONTACT FORM



CALL NOW