

ZEBRA RH 0030-0090 B

Two-stage oil-lubricated rotary vane vacuum pumps



VACUUM SOLUTIONS



Reliable

Specially designed for a wide range of applications in the medium vacuum range, robust construction, proven rotary vane vacuum technology

High performance

Stable pumping speed even in low pressure range

Quiet

Perfectly suited for research labs and low-noise working environments, only 60 dB(A) at 50 Hz

Accessories

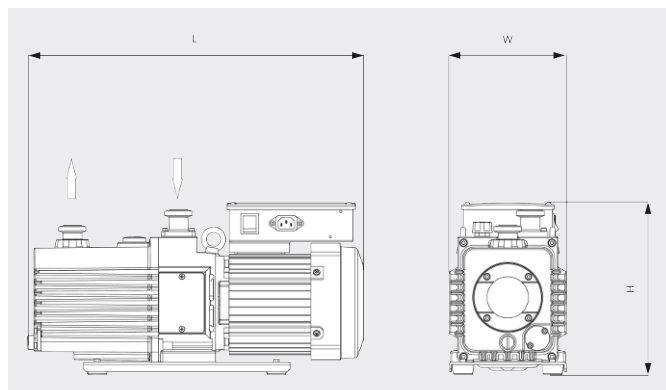
- Inlet filter
- Oil mist separator
- Oil return line
- Gas-ballast valve

ZEBRA RH 0030-0090 B

Two-stage oil-lubricated rotary vane vacuum pumps



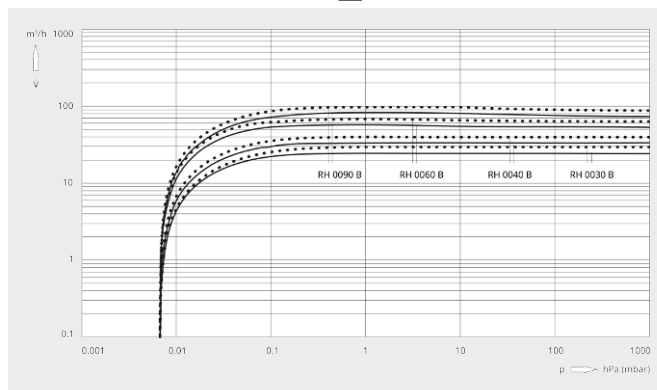
Dimensional drawing



Pumping speed

Air at 20°C. Tolerance: ± 10%

— 50 Hz 60 Hz



	ZEBRA RH 0030 B	ZEBRA RH 0040 B	ZEBRA RH 0060 B	ZEBRA RH 0090 B
Pumping speed	24 / 29 m³/h (50 / 60 Hz)	33 / 39 m³/h (50 / 60 Hz)	55 / 65 m³/h (50 / 60 Hz)	80 / 95 m³/h (50 / 60 Hz)
Pumping speed	400 / 483 l/min (50 / 60 Hz)	550 / 650 l/min (50 / 60 Hz)	917 / 1083 l/min (50 / 60 Hz)	1333 / 1583 l/min (50 / 60 Hz)
Ultimate partial pressure (gas-ballast valve closed)	6.7 · 10 ⁻⁴ hPa (mbar)	6.7 · 10 ⁻⁴ hPa (mbar)	6.7 · 10 ⁻⁴ hPa (mbar)	6.7 · 10 ⁻⁴ hPa (mbar)
Ultimate total pressure (gas-ballast valve closed)	6.7 · 10 ⁻³ hPa (mbar)	6.7 · 10 ⁻³ hPa (mbar)	6.7 · 10 ⁻³ hPa (mbar)	6.7 · 10 ⁻³ hPa (mbar)
Ultimate total pressure (gas-ballast valve open)	2 · 10 ⁻² hPa (mbar)	2 · 10 ⁻² hPa (mbar)	2 · 10 ⁻² hPa (mbar)	2 · 10 ⁻² hPa (mbar)
Max. continuous inlet pressure	65 hPa (mbar)	65 hPa (mbar)	65 hPa (mbar)	10 hPa (mbar)
Max. back pressure (gauge)	300 hPa (mbar)	300 hPa (mbar)	300 hPa (mbar)	300 hPa (mbar)
Water vapor capacity (gas-ballast valve open)	190 / 250 g/h (50 / 60 Hz)	270 / 410 g/h (50 / 60 Hz)	430 / 1100 g/h (50 / 60 Hz)	480 / 600 g/h (50 / 60 Hz)
Nominal motor rating	1.5 kW	1.5 kW	2.2 kW	3.7 kW
Operating voltage	200 – 240 / 380 – 415 V (50 Hz) / 200 – 240 / 380 – 460 V (60 Hz)	200 – 240 / 380 – 415 V (50 Hz) / 200 – 240 / 380 – 460 V (60 Hz)	200 – 240 / 380 – 415 V (50 Hz) / 200 – 240 / 380 – 460 V (60 Hz)	200 – 240 / 380 – 415 V (50 Hz) / 200 – 240 / 380 – 460 V (60 Hz)
Ambient temperature	4 – 40 °C	4 – 40 °C	4 – 40 °C	4 – 40 °C
Oil	VMA 055	VMA 055	VMA 055	VMA 055
Oil capacity	2.5 l	2.5 l	4 l	4 l
Noise level (ISO 2151)	< 57 / < 61 dB(A) (50 / 60 Hz)	< 60 / < 64 dB(A) (50 / 60 Hz)	< 60 / < 64 dB(A) (50 / 60 Hz)	< 60 / < 66 dB(A) (50 / 60 Hz)

ZEBRA RH 0030-0090 B

Two-stage oil-lubricated rotary vane vacuum pumps



	ZEBRA RH 0030 B	ZEBRA RH 0040 B	ZEBRA RH 0060 B	ZEBRA RH 0090 B
Weight approx.	58 kg	60 kg	90 kg	113 kg
Dimensions (L x W x H)	671 x 214 x 326 mm	691 x 214 x 326 mm	772 x 264 x 373 mm	831 x 264 x 373 mm
Gas inlet / outlet	ISO-KF 40 / ISO-KF 40	ISO-KF 40 / ISO-KF 40	ISO-KF 40 / ISO-KF 40	ISO-K 63 / ISO-KF 40
Marking	cTUVus	cTUVus	cTUVus	cTUVus
Additional information	<ul style="list-style-type: none">• Terminal box• Prefilled with VMA 055 oil	<ul style="list-style-type: none">• Terminal box• Prefilled with VMA 055 oil	<ul style="list-style-type: none">• Terminal box• Prefilled with VMA 055 oil	<ul style="list-style-type: none">• Terminal box• Prefilled with VMA 055 oil• Vacuum pump not intended for continuous operation at pressures > 10 mbar abs.

DO YOU WANT TO KNOW MORE?

Get in touch with us directly!
sales@buschindia.com or +91 (0)124 475 1300



CONTACT FORM



CALL NOW