

# R5 KD 0025 A

Oil-lubricated rotary vane vacuum pump



Discover all advantages of the product series R5 KD

## Compact

Direct-drive construction, reduced height and weight, specially designed for table top packaging machines

## High performance

Fast pump-down times, high vapor tolerance, excellent condensation protection, optimum temperature management

## Easy servicing

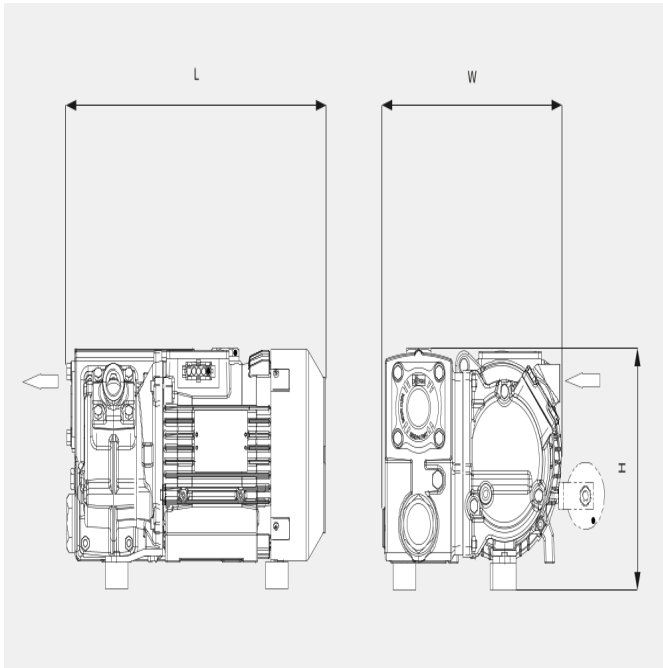
Fast service routine, long service intervals, smooth surface design for easy cleaning

# R5 KD 0025 A

Oil-lubricated rotary vane vacuum pump

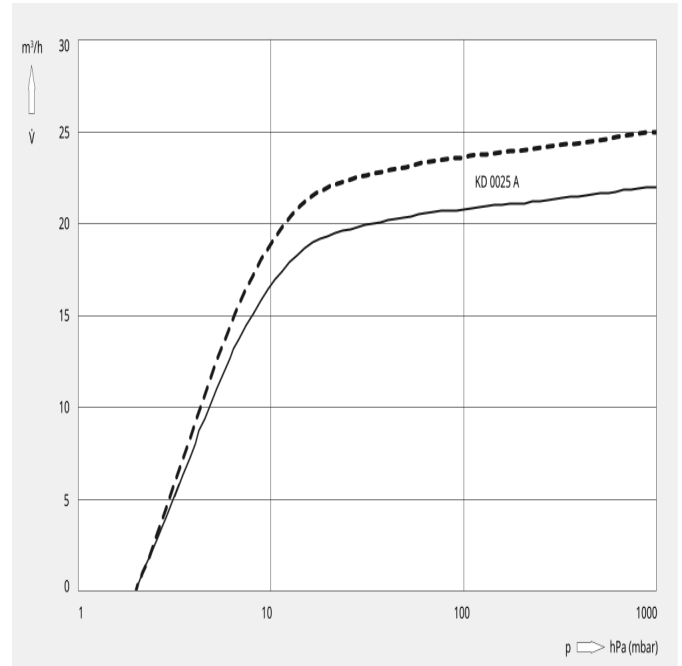


## Dimensional drawing



## Pumping speed

Air at 20 °C. Tolerance: ± 10%



The following technical values refer to ISO 50 Hz

	R5 KD 0025 A short separator	KD 0025 A long separator
<b>Nominal pumping speed</b>	22 m <sup>3</sup> /h	22 m <sup>3</sup> /h
<b>Ultimate pressure</b>	2.0 hPa (mbar)	2.0 hPa (mbar)
<b>Nominal motor rating</b>	0.75 kW	0.75 kW
<b>Nominal motor speed</b>	3000 min <sup>-1</sup>	3000 min <sup>-1</sup>
<b>Noise level (ISO 2151)</b>	62 dB(A)	64 dB(A)
<b>Oil capacity</b>	0.3 l	0.45 l
<b>Weight approx.</b>	21 kg	21 kg
<b>Dimensions (L x W x H)</b>	339 x 235 x 180 mm	338 x 232 x 187 mm
<b>Gas outlet</b>	G ½"	G ½"
<b>Gas inlet</b>	G ½"	G ½"

# R5 KD 0025 A

Oil-lubricated rotary vane vacuum pump



The following technical values refer to ISO 60 Hz

	R5 KD 0025 A short separator	KD 0025 A long separator
<b>Nominal pumping speed</b>	25 m <sup>3</sup> /h	25 m <sup>3</sup> /h
<b>Ultimate pressure</b>	2.0 hPa (mbar)	2.0 hPa (mbar)
<b>Nominal motor rating</b>	0.9 kW	0.9 kW
<b>Nominal motor speed</b>	3600 min <sup>-1</sup>	3600 min <sup>-1</sup>
<b>Noise level (ISO 2151)</b>	67 dB(A)	68 dB(A)
<b>Oil capacity</b>	0.3 l	0.45 l
<b>Weight approx.</b>	21 kg	21 kg
<b>Dimensions (L x W x H)</b>	339 x 235 x 180 mm	338 x 232 x 187 mm
<b>Gas outlet</b>	G ½"	G ½"
<b>Gas inlet</b>	G ½"	G ½"

## DO YOU WANT TO KNOW MORE

Please contact us!  
service\_sales@busch.co.il or +972 (0)8 6810485



CONTACT FORM



CALL US NOW