

# MINK MM 1104/1102 CVM

Dry claw vacuum pumps



Discover all advantages of the product series MINK MM

## Reliable

More than 50,000 MINK vacuum pumps in operation in milking robots and plants, proven dry claw vacuum technology, no operating fluids, nearly maintenance-free, long service life

## Efficient

Up to 25% energy savings compared to conventional vacuum generators used for milking robots and plants

## Flexible

Wide frequency range from 10 to 60 Hz

### Accessories

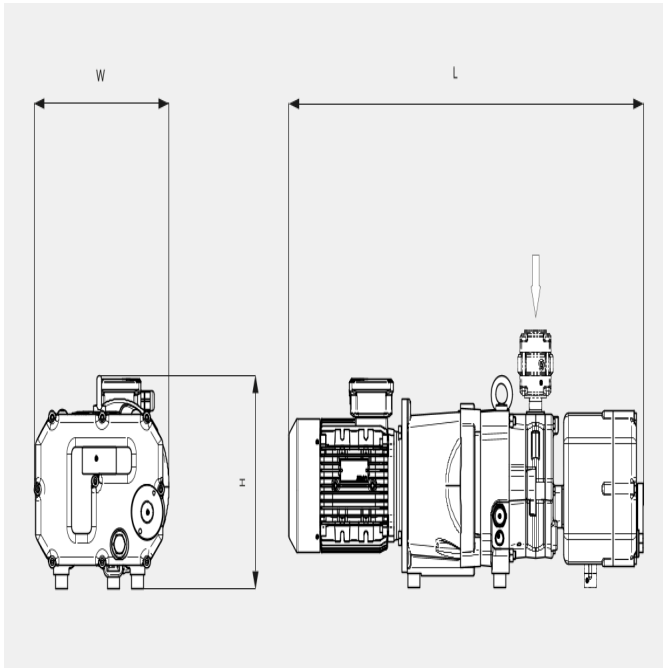
- 1104 CVM with stainless steel silencer
- 1102 CVM with cast iron silencer

# MINK MM 1104/1102 CVM

Dry claw vacuum pumps

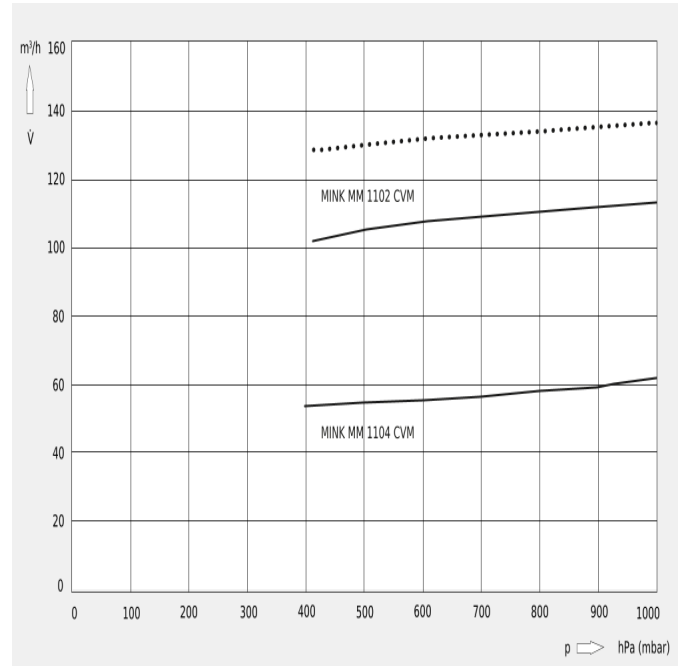


## Dimensional drawing



## Pumping speed

Air at 20 °C. Tolerance: ± 10%



The following technical values refer to ISO 50 Hz

	MINK MM 1104 CVM	MINK MM 1102 CVM (50 Hz)	MINK MM 1102 CVM
<b>Nominal pumping speed</b>	62 m³/h	110 m³/h	110 m³/h
<b>Ultimate pressure</b>	400 hPa (mbar)	400 hPa (mbar)	400 hPa (mbar)
<b>Nominal motor rating</b>	1.3 kW	2.2 kW	3.0 kW
<b>Nominal motor speed</b>	1500 min <sup>-1</sup>	3000 min <sup>-1</sup>	3000 min <sup>-1</sup>
<b>Noise level (ISO 2151)</b>	72 dB(A)	70 dB(A)	73 dB(A)
<b>Oil capacity</b>	0.5 l	0.5 l	0.5 l
<b>Weight approx.</b>	78 kg	140 kg	140 kg
<b>Dimensions (L x W x H)</b>	771 x 428 x 306 mm	898 x 339 x 301 mm	898 x 339 x 301 mm

The following technical values refer to ISO 60 Hz

	MINK MM 1104 CVM	MINK MM 1102 CVM (50 Hz)	MINK MM 1102 CVM
<b>Nominal pumping speed</b>	- m³/h	- m³/h	135 m³/h

# MINK MM 1104/1102 CVM

Dry claw vacuum pumps



VACUUM SOLUTIONS

	MINK MM 1104 CVM	MINK MM 1102 CVM (50 Hz)	MINK MM 1102 CVM
<b>Ultimate pressure</b>	- hPa (mbar)	- hPa (mbar)	400 hPa (mbar)
<b>Nominal motor rating</b>	- kW	- kW	3.4 kW
<b>Nominal motor speed</b>	- min <sup>-1</sup>	- min <sup>-1</sup>	3600 min <sup>-1</sup>
<b>Noise level (ISO 2151)</b>	- dB(A)	- dB(A)	77 dB(A)
<b>Oil capacity</b>	- l	- l	0.5 l
<b>Weight approx.</b>	- kg	- kg	140 kg
<b>Dimensions (L x W x H)</b>	- x - x - mm	- x - x - mm	898 x 339 x 301 mm

**DO YOU WANT TO KNOW MORE**

Please contact us!  
[service\\_sales@busch.co.il](mailto:service_sales@busch.co.il) or +972 (0)8 6810485



CONTACT FORM



CALL US NOW