

APOVAC AP 0110–0180 A

Vacuum systems for chemical and pharmaceutical industries



Proven performance

Standard vacuum system with proven DOLPHIN liquid ring vacuum pumps, specially designed for major processes in chemical and pharmaceutical industries, such as distillation, crystallization, filtration, vacuum drying

Robust

Handling of toxic, corrosive or explosive gases, extremely high vapor and particle tolerance, for harsh process conditions, double condensation to ensure minimum carryover and maximum solvent recovery

Cost-effective

Low operating costs, high uptime, minimal maintenance, long service life

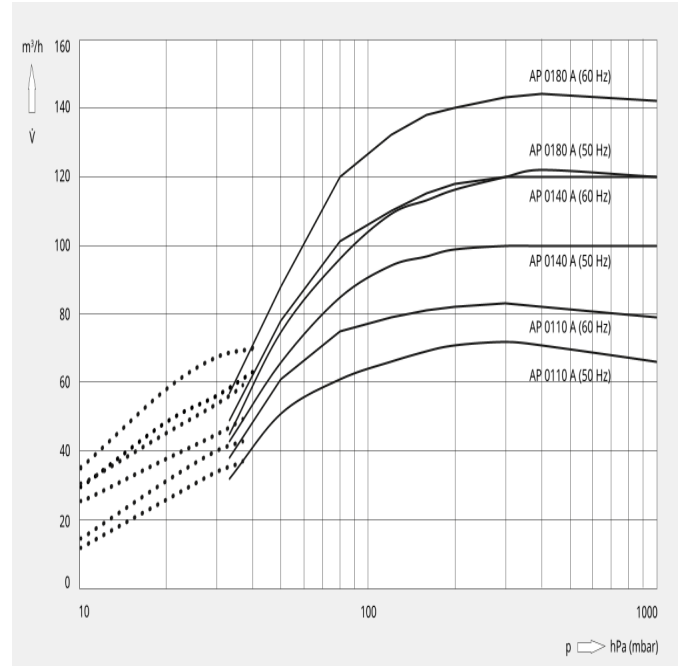
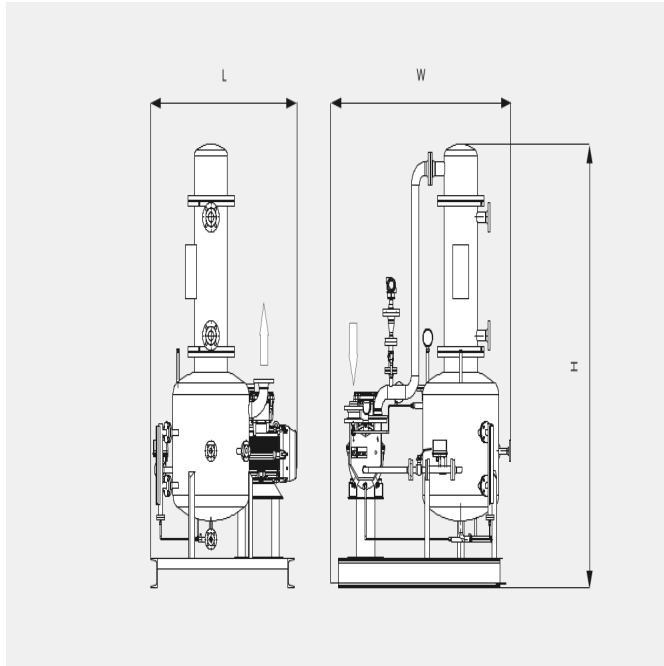
APOVAC AP 0110–0180 A

Vacuum systems for chemical and pharmaceutical industries



VACUUM SOLUTIONS

Dimensional drawing



The following technical values refer to ISO 50 Hz

	AP 0110 A	AP 0140 A	AP 0180 A
Nominal pumping speed	72 m³/h	100 m³/h	122 m³/h
Ultimate pressure	33 hPa (mbar)	33 hPa (mbar)	33 hPa (mbar)
Nominal motor rating	2.2 kW	3.0 kW	4.0 kW
Nominal motor speed	1450 min ⁻¹	1450 min ⁻¹	1450 min ⁻¹
Weight approx.	600 kg	610 kg	620 kg
Dimensions (L x W x H)	1300 x 1300 x 1900 mm	1300 x 1300 x 1900 mm	1300 x 1300 x 1900 mm
Gas inlet	DN 40	DN 40	DN 40
Gas outlet	DN 50	DN 50	DN 50

The following technical values refer to ISO 60 Hz

	AP 0110 A	AP 0140 A	AP 0180 A
Nominal pumping speed	83 m³/h	120 m³/h	144 m³/h

APOVAC AP 0110–0180 A

Vacuum systems for chemical and pharmaceutical industries



	AP 0110 A	AP 0140 A	AP 0180 A
Ultimate pressure	10 (with optional ejector) hPa (mbar)	10 (with optional ejector) hPa (mbar)	10 (with optional ejector) hPa (mbar)
Nominal motor rating	3.0 kW	4.0 kW	5.5 kW
Nominal motor speed	1750 min ⁻¹	1750 min ⁻¹	1750 min ⁻¹
Weight approx.	600 kg	610 kg	620 kg
Dimensions (L x W x H)	1300 x 1300 x 1900 mm	1300 x 1300 x 1900 mm	1300 x 1300 x 1900 mm
Gas inlet	DN 40	DN 40	DN 40
Gas outlet	DN 50	DN 50	DN 50

DO YOU WANT TO KNOW MORE

Please contact us!
service_sales@busch.co.il or +972 (0)8 6810485



CONTACT FORM



CALL US NOW