

R5 PB 0003 D

Oil-lubricated rotary vane vacuum pump



VACUUM SOLUTIONS



Compact

Block construction, reduced height and weight, specially designed for small vacuum packaging machines or for sous-vide cooking, marinating or preserving foodstuffs, prefilled with special oil, no oil change necessary during whole life cycle

Reliable

Robust construction, highly durable vanes, proven rotary vane technology, long service life, thermo protecting element

Quiet

Low noise level, ideal for use in deli counters or restaurants

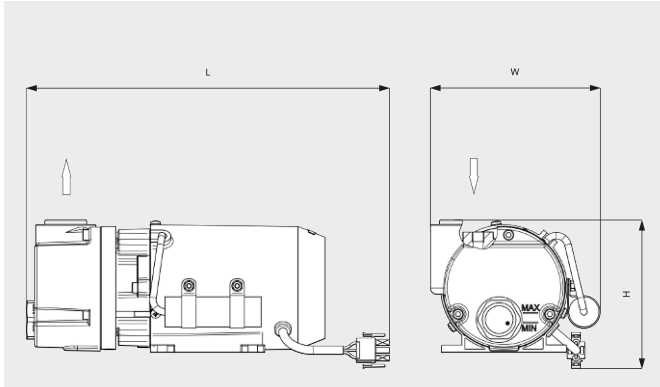
R5 PB 0003 D

Oil-lubricated rotary vane vacuum pump



VACUUM SOLUTIONS

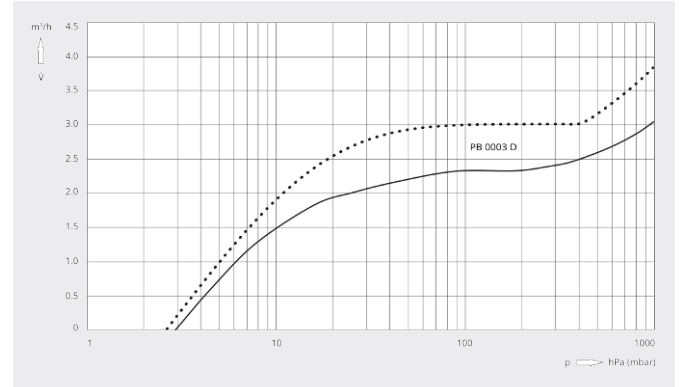
Dimensional drawing



Pumping speed

Air at 20°C. Tolerance: ± 10%

— 50 Hz 60 Hz



R5 PB 0003 D	
Nominal pumping speed	3 / 3.6 m³/h (50 / 60 Hz)
Ultimate pressure	3.0 hPa (mbar) (50 / 60 Hz)
Nominal motor rating	0.1 / 0.12 kW (50 / 60 Hz)
Nominal motor speed	3000 / 3600 min ⁻¹ (50 / 60 Hz)
Noise level (ISO 2151)	59 / 66 dB(A) (50 / 60 Hz)
Oil capacity	0.05 l
Weight approx.	5.2 kg
Dimensions (L x W x H)	250 x 141 x 110 mm
Gas inlet	G ½"

DO YOU WANT TO KNOW MORE?

Get in touch with us directly!
service_sales@busch.co.il or +972 (0)8 681 04 85



CONTACT FORM



CALL NOW