

# MINK MM 1202-1322 AP

Dry claw compressors



VACUUM SOLUTIONS



## Flexible

Designed for numerous industrial applications of up to 2.0 bar(g), inlet filter and pressure relief valve as standard

## Reliable

Effective air cooling, constantly high volume flow throughout the entire life cycle

## Nearly maintenance-free

Dry and contact-free compression

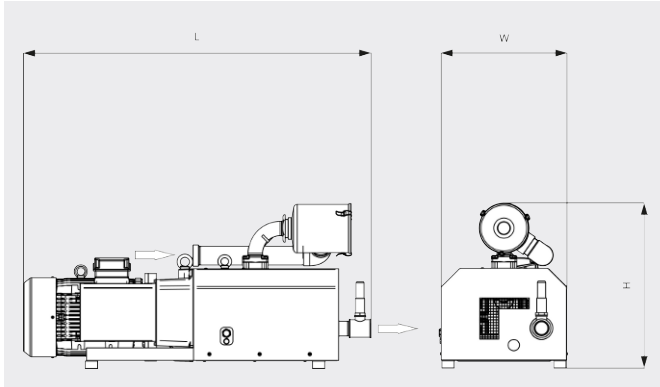
# MINK MM 1202-1322 AP

Dry claw compressors



VACUUM SOLUTIONS

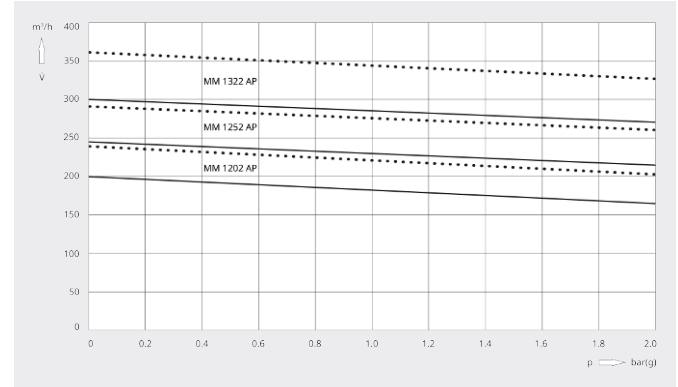
Dimensional drawing



Volume flow

Air at 20°C. Tolerance: ± 10%

— 50 Hz ..... 60 Hz



	MINK MM 1202 AP	MINK MM 1202 AP	MINK MM 1202 AP
Volume flow (at inlet)	200 / 240 m³/h (50 / 60 Hz)	200 / 240 m³/h (50 / 60 Hz)	200 / 240 m³/h (50 / 60 Hz)
Overpressure	0.8 / 1.1 bar(g) (50 / 60 Hz)	1.2 / 1.8 bar(g) (50 / 60 Hz)	2.0 bar(g) (50 / 60 Hz)
Nominal motor rating	6.0 / 9.5 kW (50 / 60 Hz)	7.5 / 12.5 kW (50 / 60 Hz)	11.0 / 13.5 kW (50 / 60 Hz)
Nominal motor speed	3000 / 3600 min <sup>-1</sup> (50 / 60 Hz)	3000 / 3600 min <sup>-1</sup> (50 / 60 Hz)	3000 / 3600 min <sup>-1</sup> (50 / 60 Hz)
Noise level (ISO 2151)	80 / 83 dB(A) (50 / 60 Hz)	80 / 83 dB(A) (50 / 60 Hz)	80 / 83 dB(A) (50 / 60 Hz)
Weight approx.	210 kg	210 kg	210 kg
Dimensions (L x W x H)	1345 x 515 x 665 mm	1345 x 515 x 665 mm	1345 x 515 x 665 mm
Gas outlet	G 2"	G 2"	G 2"

	MINK MM 1252 AP	MINK MM 1252 AP	MINK MM 1252 AP
Volume flow (at inlet)	245 / 290 m³/h (50 / 60 Hz)	245 / 290 m³/h (50 / 60 Hz)	245 / 290 m³/h (50 / 60 Hz)
Overpressure	0.9 / 0.7 bar(g) (50 / 60 Hz)	1.6 / 1.4 bar(g) (50 / 60 Hz)	2.0 bar(g) (50 / 60 Hz)
Nominal motor rating	7.5 / 9.0 kW (50 / 60 Hz)	10.6 / 12.6 kW (50 / 60 Hz)	12.5 / 15.6 kW (50 / 60 Hz)
Nominal motor speed	3000 / 3600 min <sup>-1</sup> (50 / 60 Hz)	3000 / 3600 min <sup>-1</sup> (50 / 60 Hz)	3000 / 3600 min <sup>-1</sup> (50 / 60 Hz)
Noise level (ISO 2151)	81 / 84 dB(A) (50 / 60 Hz)	81 / 84 dB(A) (50 / 60 Hz)	81 / 84 dB(A) (50 / 60 Hz)
Weight approx.	230 kg	230 kg	230 kg

# MINK MM 1202-1322 AP

Dry claw compressors



VACUUM SOLUTIONS

	MINK MM 1252 AP	MINK MM 1252 AP	MINK MM 1252 AP
Dimensions (L x W x H)	1390 x 515 x 665 mm	1390 x 515 x 665 mm	1390 x 515 x 665 mm
Gas outlet	G 2"	G 2"	G 2"

	MINK MM 1322 AP	MINK MM 1322 AP	MINK MM 1322 AP
Volume flow (at inlet)	300 / 360 m <sup>3</sup> /h (50 / 60 Hz)	300 / 360 m <sup>3</sup> /h (50 / 60 Hz)	300 / 360 m <sup>3</sup> /h (50 / 60 Hz)
Overpressure	1.0 / 0.8 bar(g) (50 / 60 Hz)	1.7 / 1.5 bar(g) (50 / 60 Hz)	2.0 bar(g) (50 / 60 Hz)
Nominal motor rating	10.5 / 12.5 kW (50 / 60 Hz)	14.9 / 17.2 kW (50 / 60 Hz)	16.5 / 21.0 kW (50 / 60 Hz)
Nominal motor speed	3000 / 3600 min <sup>-1</sup> (50 / 60 Hz)	3000 / 3600 min <sup>-1</sup> (50 / 60 Hz)	3000 / 3600 min <sup>-1</sup> (50 / 60 Hz)
Noise level (ISO 2151)	82 / 85 dB(A) (50 / 60 Hz)	82 / 85 dB(A) (50 / 60 Hz)	82 / 85 dB(A) (50 / 60 Hz)
Weight approx.	255 kg	255 kg	255 kg
Dimensions (L x W x H)	1425 x 515 x 665 mm	1425 x 515 x 665 mm	1425 x 515 x 665 mm
Gas outlet	G 2"	G 2"	G 2"

## DO YOU WANT TO KNOW MORE?

Get in touch with us directly!  
[service\\_sales@busch.co.il](mailto:service_sales@busch.co.il) or +972 (0)8 681 04 85



CONTACT FORM



CALL NOW