

DOLPHIN LB 0857-1757 A

Liquid ring vacuum pumps



VACUUM SOLUTIONS



Robust

Proven technology, durable two-stage construction

Reliable

Extremely high vapor and particle tolerance

Flexible

Wide range of construction materials, including cast iron (EN-GJL-200), many grades of stainless steel and even titanium, ATEX-certified version available (Cat 1(i)/2(o) IIC T5), operating fluids other than water possible, operation as compressor possible

Accessories, spare parts and options

- Partial or total recirculation systems
- Liquid separator
- Cavitation protection
- Heat exchanger
- Gas ejector
- Wide selection of motors
- Non-return valves
- Vacuum relief valves

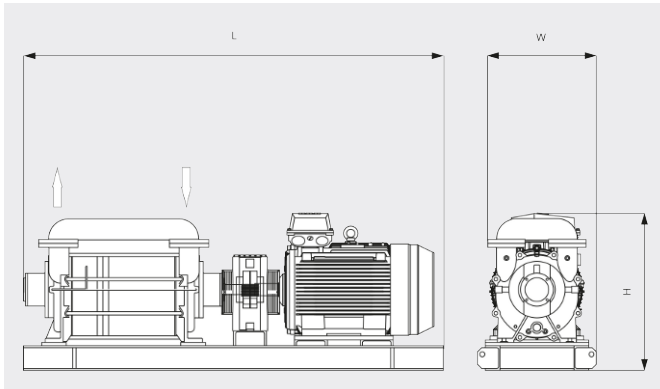
DOLPHIN LB 0857-1757 A

Liquid ring vacuum pumps



VACUUM SOLUTIONS

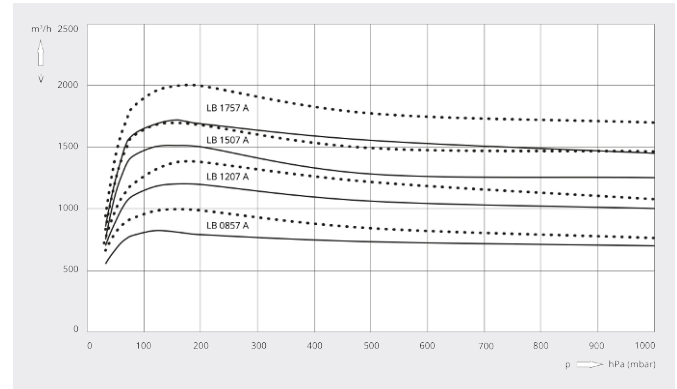
Dimensional drawing



Pumping speed

Air at 20°C. Tolerance: ± 10%

— 50 Hz 60 Hz



	DOLPHIN LB 0857 A	DOLPHIN LB 1207 A	DOLPHIN LB 1507 A	DOLPHIN LB 1757 A
Nominal pumping speed	850 / 1000 m³/h (50 / 60 Hz)	1200 / 1380 m³/h (50 / 60 Hz)	1500 / 1690 m³/h (50 / 60 Hz)	1750 / 2000 m³/h (50 / 60 Hz)
Ultimate pressure	33 hPa (mbar) (50 / 60 Hz)	33 hPa (mbar) (50 / 60 Hz)	33 hPa (mbar) (50 / 60 Hz)	33 hPa (mbar) (50 / 60 Hz)
Max. overpressure	2 bar(g) (50 / 60 Hz)	2 bar(g) (50 / 60 Hz)	2 bar(g) (50 / 60 Hz)	2 bar(g) (50 / 60 Hz)
Nominal motor rating	30 / 37 kW (50 / 60 Hz)	37 / 55 kW (50 / 60 Hz)	45 / 75 kW (50 / 60 Hz)	75 / 90 kW (50 / 60 Hz)
Nominal motor speed	960 / 1150 min ⁻¹ (50 / 60 Hz)	960 / 1150 min ⁻¹ (50 / 60 Hz)	960 / 1150 min ⁻¹ (50 / 60 Hz)	960 / 1150 min ⁻¹ (50 / 60 Hz)
Noise level (ISO 2151)	76 / 77 dB(A)	76 / 77 dB(A)	76 / 77 dB(A)	76 / 77 dB(A)
Weight approx.	510 kg	600 kg	685 kg	770 kg
Dimensions (L x W x H)	(1096 – 1282) x 610 x 750 mm	(1246 – 1432) x 610 x 750 mm	(1346 – 1532) x 610 x 750 mm	(1496 – 1682) x 610 x 750 mm
Gas inlet / outlet	DN 100 PN 10 / DN 100 PN 10	DN 100 PN 10 / DN 100 PN 10	DN 100 PN 10 / DN 100 PN 10	DN 100 PN 10 / DN 100 PN 10

DO YOU WANT TO KNOW MORE?

Get in touch with us directly!
service_sales@busch.co.il or +972 (0)8 681 04 85



CONTACT FORM



CALL NOW