

# DOLPHIN LB 3809/4409 A

Liquid ring vacuum pumps



VACUUM SOLUTIONS



## Robust

Proven technology, durable two-stage construction

## Reliable

Extremely high vapor and particle tolerance

## Flexible

Wide range of construction materials, including cast iron (EN-GJL-200), many grades of stainless steel and even titanium, ATEX-certified version available (Cat 1(i)/2(o) IIC T5), operating fluids other than water possible, operation as compressor possible

Accessories, spare parts and options

- Partial or total recirculation systems
- Liquid separator
- Cavitation protection
- Heat exchanger
- Gas ejector
- Wide selection of motors
- Non-return valves
- Vacuum relief valves

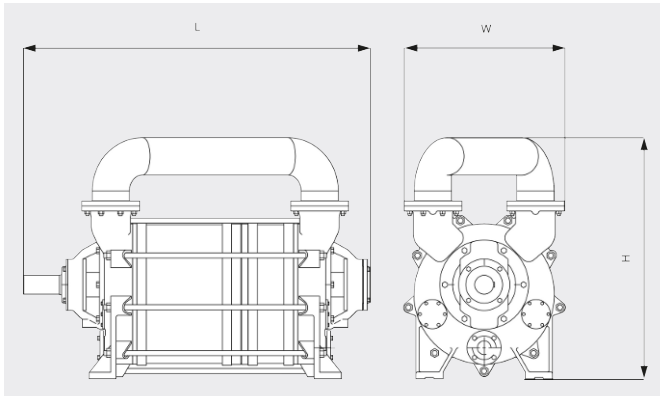
# DOLPHIN LB 3809/4409 A

Liquid ring vacuum pumps



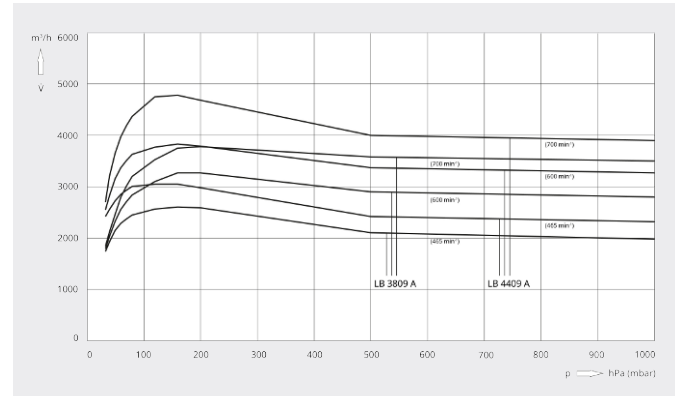
VACUUM SOLUTIONS

Dimensional drawing



Pumping speed

Air at 20°C. Tolerance: ± 10%



|                        | DOLPHIN LB 3809 A                        | DOLPHIN LB 4409 A                        |
|------------------------|--|--|
| Nominal pumping speed  | 2500 – 3800 m³/h (50 / 60 Hz)            | 2600 – 4400 m³/h (50 / 60 Hz)            |
| Ultimate pressure      | 33 hPa (mbar) (50 / 60 Hz)               | 33 hPa (mbar) (50 / 60 Hz)               |
| Nominal motor rating   | 90 – 150 kW (50 / 60 Hz)                 | 90 – 185 kW (50 / 60 Hz)                 |
| Nominal motor speed    | 465 – 700 min <sup>-1</sup> (50 / 60 Hz) | 465 – 700 min <sup>-1</sup> (50 / 60 Hz) |
| Noise level (ISO 2151) | 85 dB(A) (50 / 60 Hz)                    | 85 dB(A) (50 / 60 Hz)                    |
| Weight approx.         | 2200 kg                                  | 2340 kg                                  |
| Dimensions (L x W x H) | 2025 x 950 x 1410 mm                     | 2150 x 950 x 1410 mm                     |
| Gas inlet / outlet     | DN 200 PN 10 / DN 200 PN 10              | DN 200 PN 10 / DN 200 PN 10              |

## DO YOU WANT TO KNOW MORE?

Get in touch with us directly!  
[service\\_sales@busch.co.il](mailto:service_sales@busch.co.il) or +972 (0)8 681 04 85



CONTACT FORM



CALL NOW