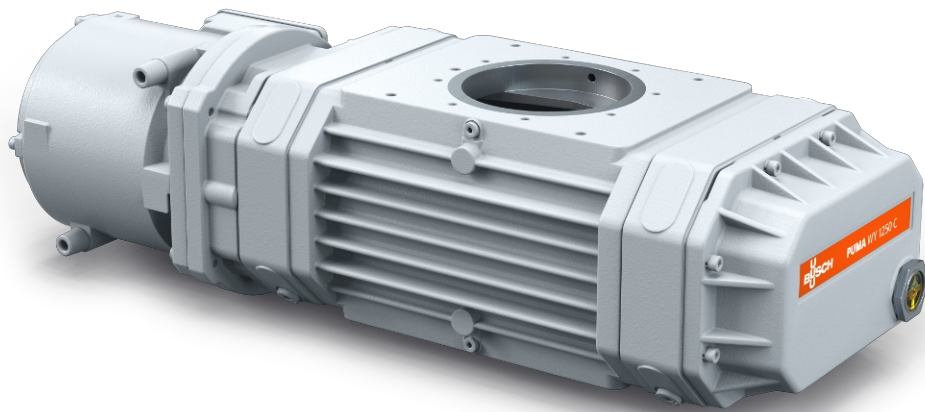


# PUMA WY 0500-1250 C

Vacuum boosters



VACUUM SOLUTIONS



## Reliable

Solid lobe design, robust construction made of GGG40 material, leak-tight, reliable under varying operating conditions

## High performance

Excellent volumetric efficiency, increases the performance of a vacuum system by up to a factor of ten, specially designed for medium and high vacuum including semiconductor applications

## Flexible

Can be flanged directly on the system at any position, boosts the performance of all types of backing pumps

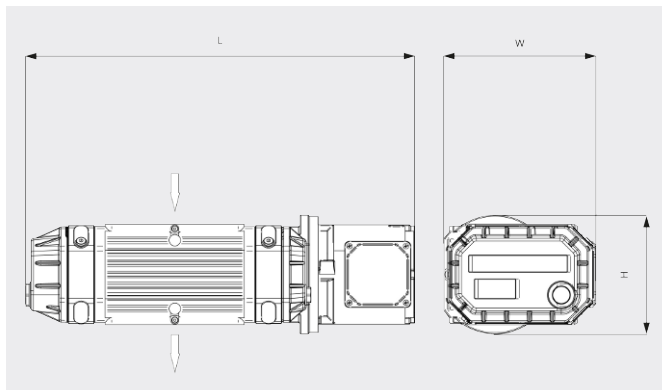
# PUMA WY 0500-1250 C

Vacuum boosters



VACUUM SOLUTIONS

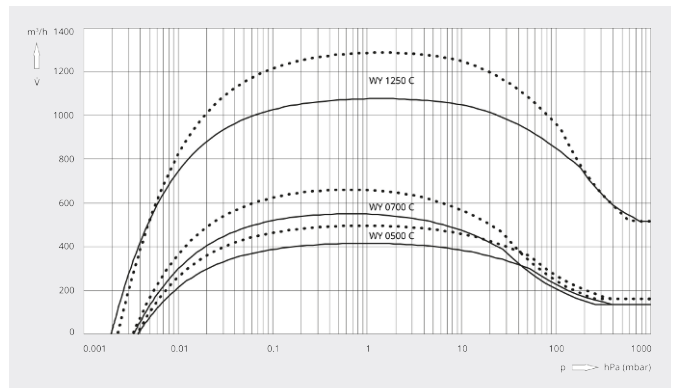
Dimensional drawing



Pumping speed

Air at 20°C. Tolerance: ± 10%

— 50 Hz ..... 60 Hz



	PUMA WY 0500 C	PUMA WY 0700 C	PUMA WY 1250 C
<b>Nominal pumping speed</b>	500 / 600 m³/h (50 / 60 Hz)	700 / 840 m³/h (50 / 60 Hz)	1250 / 1500 m³/h (50 / 60 Hz)
<b>Pumping speed</b>	415 / 500 m³/h (50 / 60 Hz)	550 / 660 m³/h (50 / 60 Hz)	1080 / 1290 m³/h (50 / 60 Hz)
<b>Max. differential pressure</b>	50 hPa (mbar) (50 / 60 Hz)	50 hPa (mbar) (50 / 60 Hz)	50 hPa (mbar) (50 / 60 Hz)
<b>Nominal motor rating</b>	4.0 / 4.4 kW (50 / 60 Hz)	4.0 / 4.4 kW (50 / 60 Hz)	4.0 / 4.4 kW (50 / 60 Hz)
<b>Nominal motor speed</b>	3000 / 3600 min <sup>-1</sup> (50 / 60 Hz)	3000 / 3600 min <sup>-1</sup> (50 / 60 Hz)	3000 / 3600 min <sup>-1</sup> (50 / 60 Hz)
<b>Weight approx.</b>	150 kg	160 kg	210 kg
<b>Leakage rate</b>	< 1 · 10 <sup>-6</sup> mbar · l/s	< 1 · 10 <sup>-6</sup> mbar · l/s	< 1 · 10 <sup>-6</sup> mbar · l/s
<b>Dimensions (L x W x H)</b>	642 x 325 x 260 mm	692 x 325 x 260 mm	852 x 325 x 260 mm
<b>Gas inlet / outlet</b>	DN 63 ISO / DN 63 ISO	DN 100 ISO / DN 100 ISO	DN 160 ISO / DN 160 ISO

DO YOU WANT TO KNOW MORE?

Get in touch with us directly!  
[service\\_sales@busch.co.il](mailto:service_sales@busch.co.il) or +972 (0)8 681 04 85



CONTACT FORM



CALL NOW