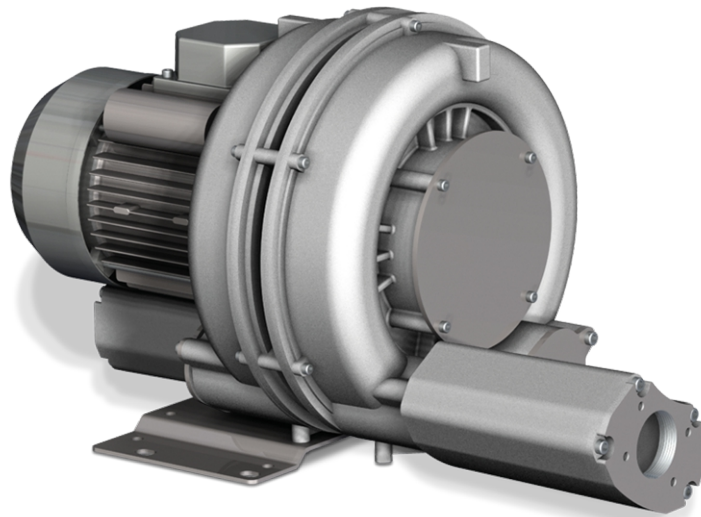


# SAMOS SI 0090-0210 E2

Side channel blowers



VACUUM SOLUTIONS



## Reliable

Robust construction, effective air cooling, long lifetime, nearly maintenance-free, dry and contact-free operating principle, high differential pressures thanks to two compression stages, protection against overheating

## Flexible

Vacuum or overpressure operation, horizontal and vertical installation

## Quiet

Low noise level, fully enclosed unit, internal silencers

Accessories

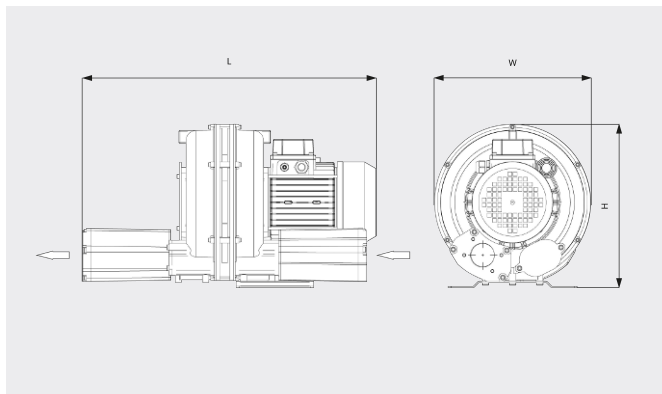
- Vacuum relief valves
- Pressure relief valves
- Additional silencers

# SAMOS SI 0090-0210 E2

Side channel blowers

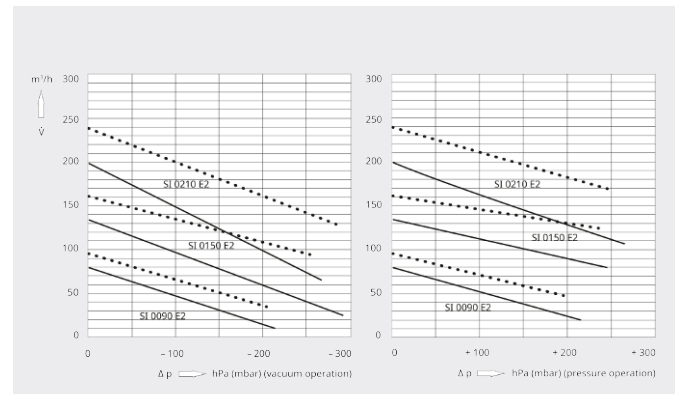


Dimensional drawing



Pumping speed/Volume flow  
Air at 20°C. Tolerance: ± 10%

— 50 Hz ..... 60 Hz



	SAMOS SI 0090 E2	SAMOS SI 0150 E2	SAMOS SI 0210 E2
<b>Nominal pumping speed/volume flow</b>	80 / 96 m <sup>3</sup> /h (50 / 60 Hz)	135 / 162 m <sup>3</sup> /h (50 / 60 Hz)	200 / 240 m <sup>3</sup> /h (50 / 60 Hz)
<b>Max. differential pressure (vacuum version)</b>	-215 / -205 hPa (mbar) (50 / 60 Hz)	-295 / -255 hPa (mbar) (50 / 60 Hz)	-265 / -280 hPa (mbar) (50 / 60 Hz)
<b>Max. differential pressure (overpressure version)</b>	+215 / +235 hPa (mbar) (50 / 60 Hz)	+255 / +235 hPa (mbar) (50 / 60 Hz)	+265 / +245 hPa (mbar) (50 / 60 Hz)
<b>Nominal motor rating</b>	0.7 / 0.9 kW (50 / 60 Hz)	1.5 / 1.7 kW (50 / 60 Hz)	2.2 / 2.5 kW (50 / 60 Hz)
<b>Nominal motor speed</b>	3000 / 3600 min <sup>-1</sup> (50 / 60 Hz)	3000 / 3600 min <sup>-1</sup> (50 / 60 Hz)	3000 / 3600 min <sup>-1</sup> (50 / 60 Hz)
<b>Noise level (ISO 3744)</b>	64 / 68 dB(A) (50 / 60 Hz)	65 / 68 dB(A) (50 / 60 Hz)	72 dB(A) (50 / 60 Hz)
<b>Weight approx.</b>	16 kg	25 kg	31 kg
<b>Dimensions (L x W x H)</b>	535 x 245 x 251 mm	543 x 302 x 316 mm	297 x 334 x 341 mm
<b>Gas inlet / outlet</b>	G 1¼" / G 1¼"	G 1½" / G 1½"	G 1½" / G 1½"

**DO YOU WANT TO KNOW MORE?**

Get in touch with us directly!  
service\_sales@busch.co.il or +972 (0)8 681 04 85



CONTACT FORM



CALL NOW