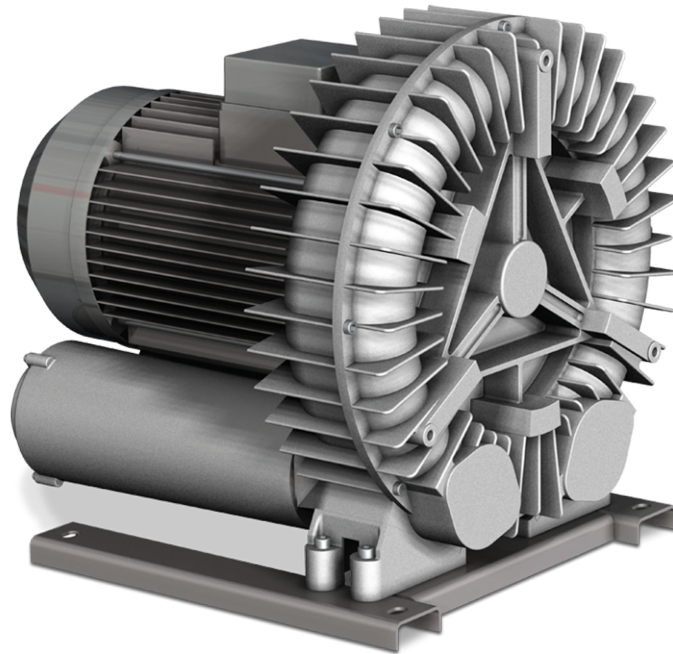


SAMOS SI 1500/2200 E1

Side channel blowers



VACUUM SOLUTIONS



Reliable

Robust and light-weight construction, effective air cooling, long lifetime, nearly maintenance-free, dry and contact-free operating principle, protection against overheating

Flexible

Vacuum or overpressure operation, horizontal and vertical installation

Quiet

Low noise level, fully enclosed unit, internal silencers

Accessories

- Vacuum relief valves
- Pressure relief valves
- Additional silencers

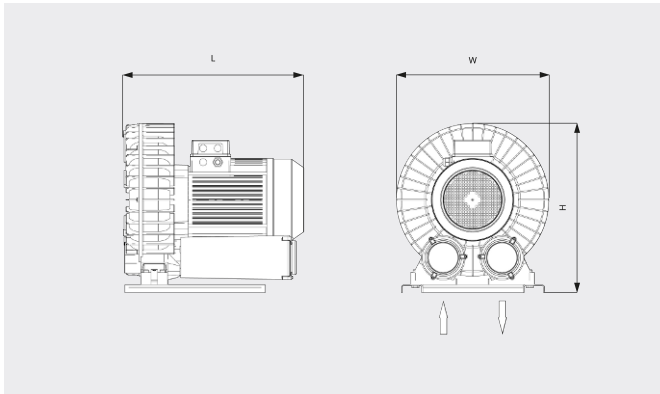
SAMOS SI 1500/2200 E1

Side channel blowers



VACUUM SOLUTIONS

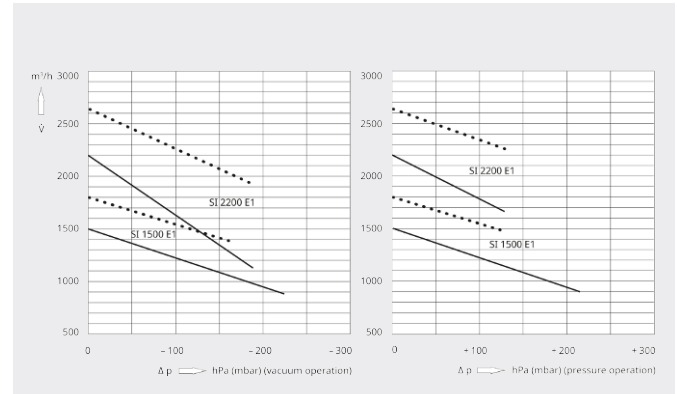
Dimensional drawing



Pumping speed/Volume flow

Air at 20°C. Tolerance: ± 10%

— 50 Hz 60 Hz



	SAMOS SI 1500 E1	SAMOS SI 2200 E1
Nominal pumping speed/volume flow	1500 / 1800 m ³ /h (50 / 60 Hz)	2200 / 2640 m ³ /h (50 / 60 Hz)
Max. differential pressure (vacuum version)	-225 / -155 hPa (mbar) (50 / 60 Hz)	-185 / -180 hPa (mbar) (50 / 60 Hz)
Max. differential pressure (overpressure version)	+210 / +125 hPa (mbar) (50 / 60 Hz)	+130 hPa (mbar) (50 / 60 Hz)
Nominal motor rating	15.0 / 17.3 kW (50 / 60 Hz)	20.0 / 25.2 kW (50 / 60 Hz)
Nominal motor speed	3000 / 3600 min ⁻¹ (50 / 60 Hz)	3000 / 3600 min ⁻¹ (50 / 60 Hz)
Noise level (ISO 3744)	82 / 84 dB(A) (50 / 60 Hz)	82 / 84 dB(A) (50 / 60 Hz)
Weight approx.	155 kg	166 kg
Dimensions (L x W x H)	654 x 570 x 633 mm	739 x 600 x 610 mm
Gas inlet / outlet	G 4" / G 4"	Hose connection Ø 150 mm

DO YOU WANT TO KNOW MORE?

Get in touch with us directly!
service_sales@busch.co.il or +972 (0)8 681 04 85



CONTACT FORM



CALL NOW