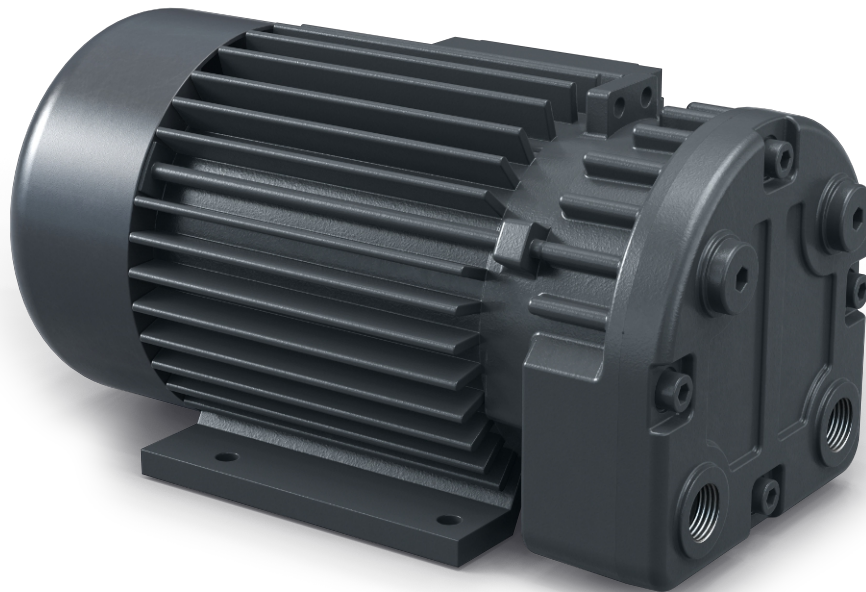


SECO SV 1008 C

Dry-running rotary vane vacuum pump



VACUUM SOLUTIONS



Compact

Direct-drive construction

Reliable

Robust construction, proven performance, self-lubricating vanes, no operating fluids

High performance

High uptime, high performance vanes

Accessories

- Inlet filter
- Vacuum regulating unit
- Non-return valve (inlet)
- Hose nipple

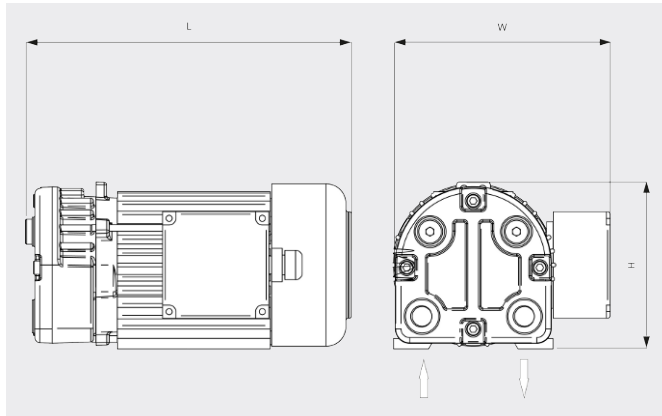
SECO SV 1008 C

Dry-running rotary vane vacuum pump



VACUUM SOLUTIONS

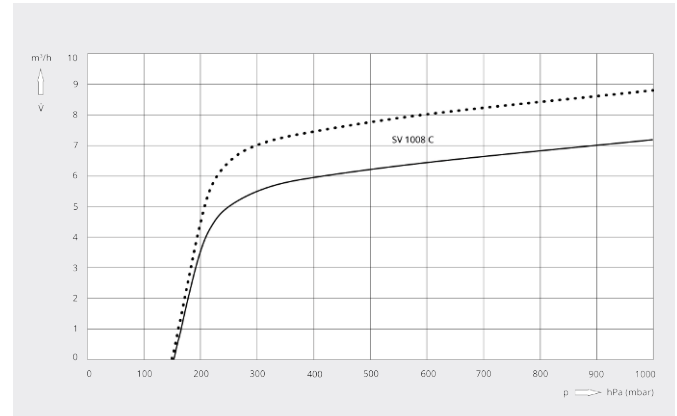
Dimensional drawing



Pumping speed

Air at 20°C. Tolerance: ± 10%

— 50 Hz 60 Hz



SECO SV 1008 C	
Nominal pumping speed	7.3 / 8.8 m³/h (50 / 60 Hz)
Ultimate pressure	150 hPa (mbar) (50 / 60 Hz)
Nominal motor rating	0.25 / 0.30 kW (50 / 60 Hz)
Nominal motor speed	3000 / 3600 min ⁻¹ (50 / 60 Hz)
Noise level (ISO 2151)	63 / 66 dB(A) (50 / 60 Hz)
Weight approx.	8.5 kg
Dimensions (L x W x H)	245 x 164 x 125 mm
Gas inlet / outlet	G 3/8" / G 3/8"

DO YOU WANT TO KNOW MORE?

Get in touch with us directly!
service_sales@busch.co.il or +972 (0)8 681 04 85



CONTACT FORM



CALL NOW