

# DOLPHIN LG 0890/1200 A

Liquid ring vacuum pumps



VACUUM SOLUTIONS



## Robust

Proven technology, reliable operation, extremely high vapor and particle tolerance, specially designed for challenging environments like mining, power plants, sugar production, pulp and paper industry, steel production etc.

## High performance

High-capacity, high pumping speeds

## Flexible

Modular design, choice of cast iron (EN-GJL-200) housing with ductile cast iron impeller or all 316 grade corrosion-free stainless steel material, operating fluids other than water possible, operation as compressor possible

### Accessories

- Motorized pumpsets, with gearbox or V-belt drive system, mounted on sturdy steel base frames
- Partial or total recirculation systems
- Cavitation protection
- Gas ejector
- Non-return valves
- Vacuum relief valves

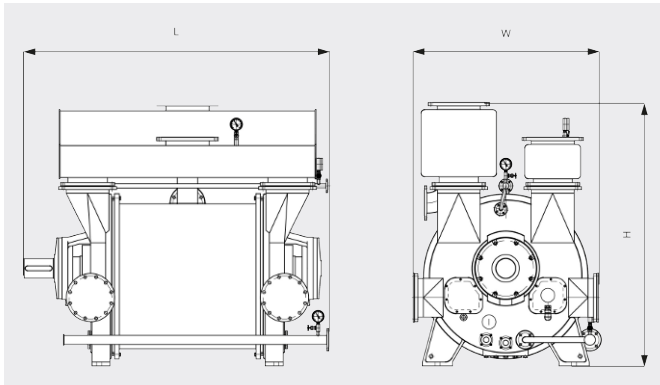
# DOLPHIN LG 0890/1200 A

Liquid ring vacuum pumps



VACUUM SOLUTIONS

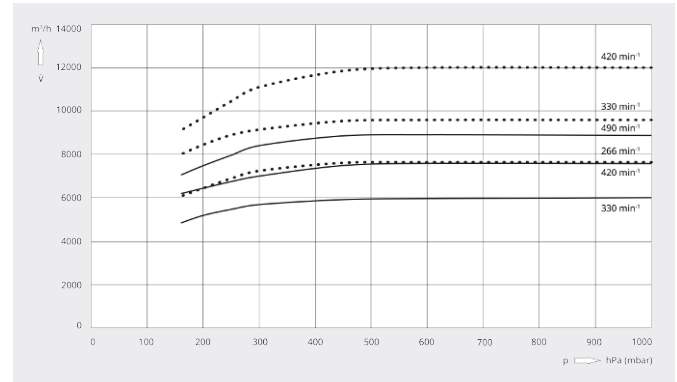
Dimensional drawing



Pumping speed

Air at 20°C. Tolerance: ± 10%

— 50 Hz ..... 60 Hz



|                        | DOLPHIN LG 0890 A             | DOLPHIN LG 1200 A              |
|------------------------|-------------------------------|--------------------------------|
| Nominal pumping speed  | 6000 – 8900 m <sup>3</sup> /h | 7650 – 12000 m <sup>3</sup> /h |
| Ultimate pressure      | 160 hPa (mbar)                | 160 hPa (mbar)                 |
| Nominal motor rating   | 132 – 220 kW                  | 160 – 280 kW                   |
| Nominal motor speed    | 330 – 490 min <sup>-1</sup>   | 266 – 420 min <sup>-1</sup>    |
| Noise level (ISO 2151) | < 85 dB(A)                    | < 85 dB(A)                     |
| Weight approx.         | 3880 kg                       | 5760 kg                        |
| Dimensions (L x W x H) | 2370 x 1330 x 1865 mm         | 2500 x 1550 x 2160 mm          |
| Gas inlet / outlet     | DN 300 PN 10 / DN 300 PN 10   | DN 350 PN 10 / DN 350 PN 10    |

## DO YOU WANT TO KNOW MORE?

Get in touch with us directly!  
[service\\_sales@busch.co.il](mailto:service_sales@busch.co.il) or +972 (0)8 681 04 85



CONTACT FORM



CALL NOW