

# R5 PB 0003 D

Oil-lubricated rotary vane vacuum pump



VACUUM SOLUTIONS



## Compact

Block construction, reduced height and weight, specially designed for small vacuum packaging machines or for sous-vide cooking, marinating or preserving foodstuffs, prefilled with special oil, no oil change necessary during whole life cycle

## Reliable

Robust construction, highly durable vanes, proven rotary vane technology, long service life, thermo protecting element

## Quiet

Low noise level, ideal for use in deli counters or restaurants

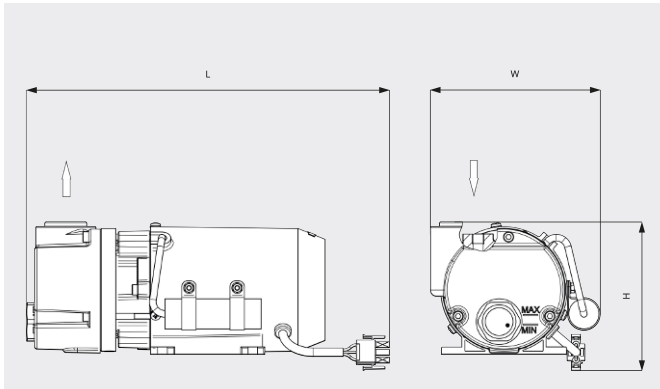
# R5 PB 0003 D

Oil-lubricated rotary vane vacuum pump



VACUUM SOLUTIONS

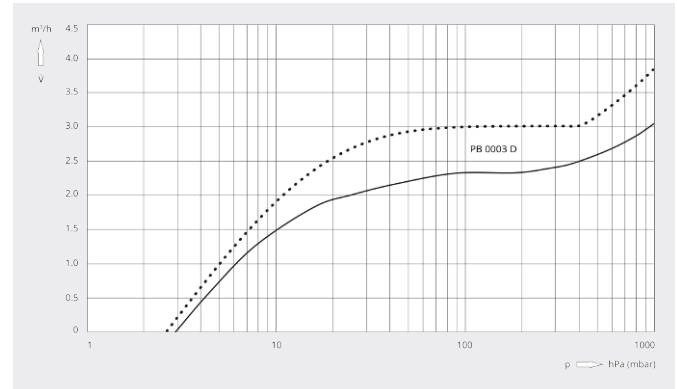
Dimensional drawing



Pumping speed

Air at 20°C. Tolerance: ± 10%

— 50 Hz    ..... 60 Hz



R5 PB 0003 D	
Nominal pumping speed	3 / 3.6 m³/h (50 / 60 Hz)
Ultimate pressure	3.0 hPa (mbar) (50 / 60 Hz)
Nominal motor rating	0.1 / 0.12 kW (50 / 60 Hz)
Nominal motor speed	3000 / 3600 min <sup>-1</sup> (50 / 60 Hz)
Noise level (ISO 2151)	59 / 66 dB(A) (50 / 60 Hz)
Oil capacity	0.05 l
Weight approx.	5.2 kg
Dimensions (L x W x H)	250 x 141 x 110 mm
Gas inlet	G ½"

## DO YOU WANT TO KNOW MORE?

Get in touch with us directly!  
[sales@busch.ie](mailto:sales@busch.ie) or +353 (0)1 832 13 30



CONTACT FORM



CALL NOW