

# MINK MM 1104/1102 CVM

Dry claw vacuum pumps



VACUUM SOLUTIONS



## Reliable

More than 50,000 MINK vacuum pumps in operation in milking robots and plants, proven dry claw vacuum technology, no operating fluids, nearly maintenance-free, long service life

## Efficient

Up to 25% energy savings compared to conventional vacuum generators used for milking robots and plants

## Flexible

Wide frequency range from 10 to 60 Hz

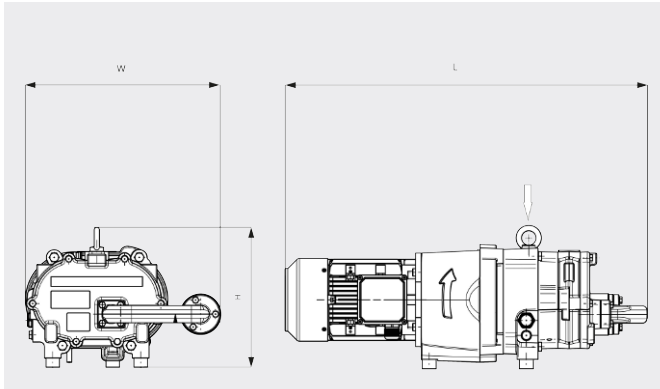
# MINK MM 1104/1102 CVM

Dry claw vacuum pumps



VACUUM SOLUTIONS

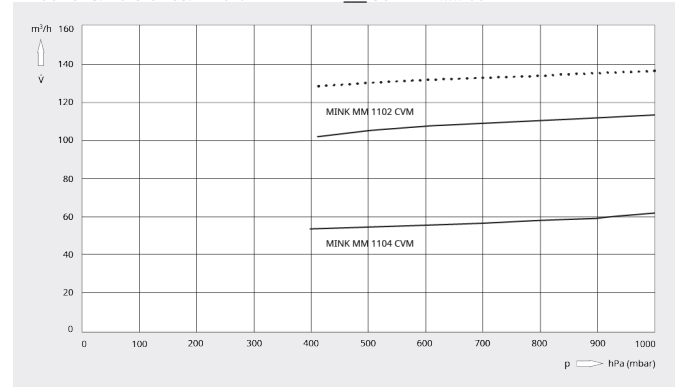
Dimensional drawing



Pumping speed

Air at 20°C. Tolerance: ± 10%

— 50 Hz ..... 60 Hz



	MM 1104 CVM	MM 1102 CVM	MM 1102 CVM
<b>Nominal pumping speed</b>	62 m³/h (50 Hz)	110 m³/h (50 Hz)	110 / 135 m³/h (50 / 60 Hz)
<b>Ultimate pressure</b>	400 hPa (mbar) (50 Hz)	400 hPa (mbar) (50 Hz)	400 hPa (mbar) (50 / 60 Hz)
<b>Nominal motor rating</b>	1.3 kW (50 Hz)	2.2 kW (50 Hz)	3.0 / 3.4 kW (50 / 60 Hz)
<b>Nominal motor speed</b>	1500 min <sup>-1</sup> (50 Hz)	3000 min <sup>-1</sup> (50 Hz)	3000 / 3600 min <sup>-1</sup> (50 / 60 Hz)
<b>Noise level (ISO 2151)</b>	72 dB(A) (50 Hz)	70 dB(A) (50 Hz)	73 / 77 dB(A) (50 / 60 Hz)
<b>Oil capacity</b>	0.5 l	0.5 l	0.5 l
<b>Weight approx.</b>	78 kg *	140 kg *	140 kg *
<b>Dimensions (L x W x H)</b>	771 x 428 x 306 mm	898 x 339 x 301 mm	898 x 339 x 301 mm

DO YOU WANT TO KNOW MORE?

Get in touch with us directly!  
[sales@busch.ie](mailto:sales@busch.ie) or +353 (0)1 832 13 30



CONTACT FORM



CALL NOW