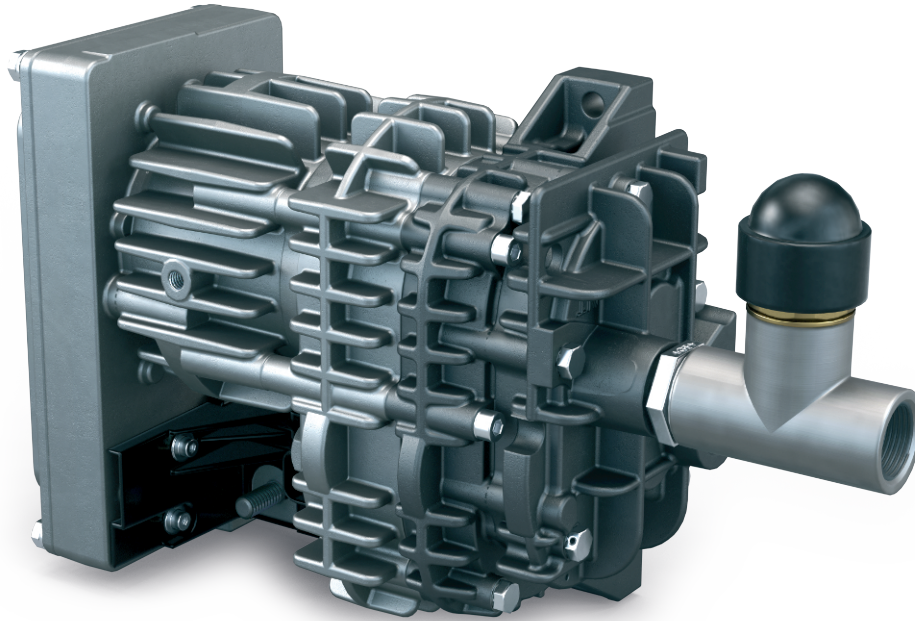


MINK MB 0018 A

Dry claw vacuum pump



VACUUM SOLUTIONS



Robust

Specially designed for mobile applications, may be operated under extreme conditions, in temperature ranges between -40 °C and $+40\text{ °C}$ and at elevations between $-1,000\text{ m}$ and $4,000\text{ m}$, resistant to severe vibration

Efficient

Latest claw vacuum technology, dry and contact-free compression, no contamination of pumped medium, intelligent variable speed drive, low energy consumption, long life cycle without servicing

Compact

Small footprint due to "all-in-one" design

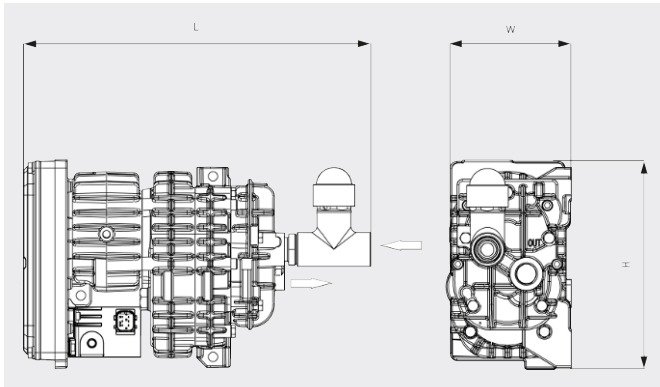
MINK MB 0018 A

Dry claw vacuum pump



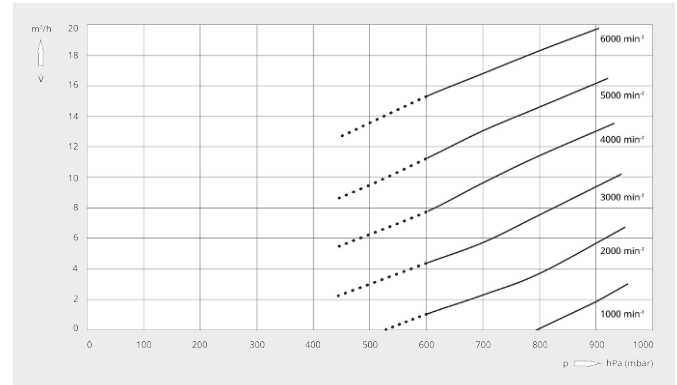
VACUUM SOLUTIONS

Dimensional drawing



Pumping speed

Air at 20°C. Tolerance: ± 10%



MINK MB 0018 A	
Nominal pumping speed	18 m ³ /h
Ultimate pressure	600 / 450 hPa (mbar)
Nominal motor rating	0.5 kW
Nominal motor speed	6000 min ⁻¹
Ambient temperature	-40 ... +40
Noise level (ISO 2151)	73 dB(A)
Weight approx.	6.5 kg
Dimensions (L x W x H)	329.5 x 120 x 199 mm
Gas inlet / outlet	G ¾" / G ½"

DO YOU WANT TO KNOW MORE?

Get in touch with us directly!
sales@busch.ie or +353 (0)1 832 13 30



CONTACT FORM



CALL NOW