

# COMBI CMM (MINK + MINK)

Vacuum pump unit



VACUUM SOLUTIONS



## Efficient

Latest dry claw vacuum technology, substantial energy savings compared to conventional vacuum generators, cost-effective

## Nearly maintenance-free

Dry and contact-free operation, solution based on MINK MM dry claw vacuum pumps

## Flexible

Easy adaption to individual customer requirements and processes

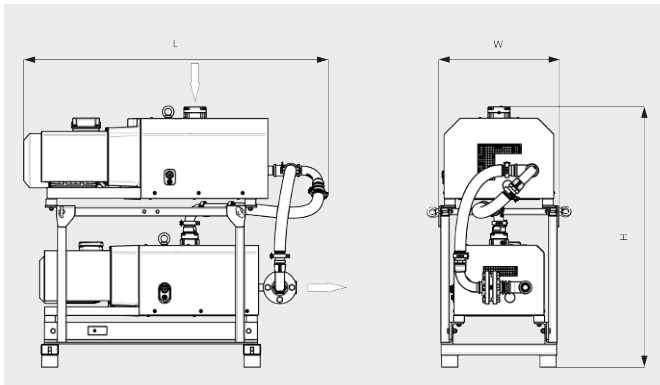
# COMBI CMM (MINK + MINK)

Vacuum pump unit



VACUUM SOLUTIONS

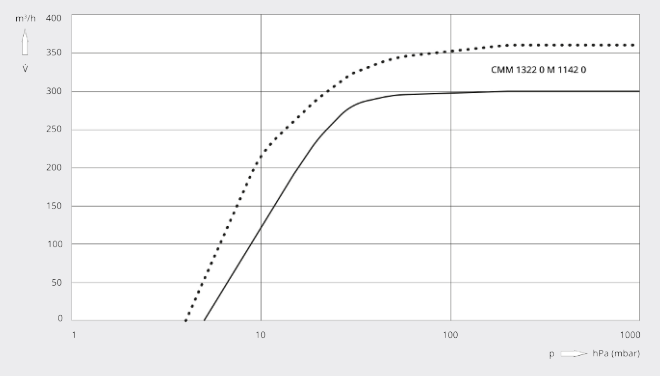
Dimensional drawing



Pumping speed

Air at 20 °C. Tolerance: ± 10%

— 50 Hz    ..... 60 Hz



COMBI CMM	
Nominal pumping speed	300 / 360 m³/h (50 / 60 Hz)
Ultimate pressure	10 hPa(mbar) (50 / 60 Hz)
Nominal motor rating	9.5 / 12.8 kW (50 / 60 Hz)
Nominal motor speed	3000 / 3600 min <sup>-1</sup> (50 / 60 Hz)
Dimensions (L x W x H)	1385 x 546 x 1184 mm
Gas inlet / outlet	G 2" / G 1½"

## DO YOU WANT TO KNOW MORE?

Get in touch with us directly!  
sales@busch.ie or +353 (0)1 832 13 30



CONTACT FORM



CALL NOW