

# DOLPHIN LA 0053-0143 A

Liquid ring vacuum pumps



## Robust

Proven technology, durable single-stage construction

## Reliable

Extremely high vapor and particle tolerance

## Flexible

Wide range of construction materials, including cast iron (EN-GJL-200), many grades of stainless steel and even titanium, ATEX-certified version available (Cat 1(i)/2(o) IIC T5), different operating fluids possible, operation as compressor possible

Accessories, spare parts and options

- Partial or total recirculation systems
- Liquid separator
- Cavitation protection
- Heat exchanger
- Gas ejector
- Wide selection of motors
- Non-return valves
- Vacuum relief valves

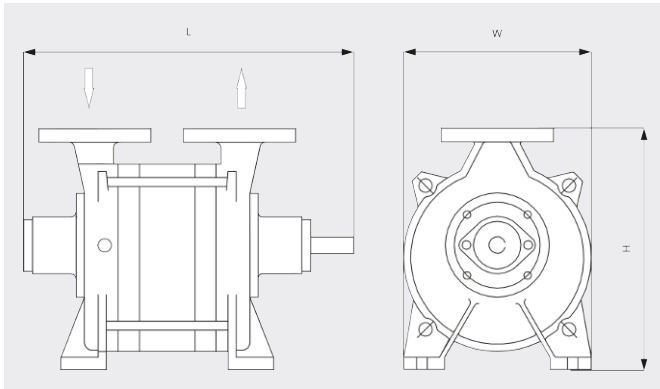
# DOLPHIN LA 0053-0143 A

Liquid ring vacuum pumps



VACUUM SOLUTIONS

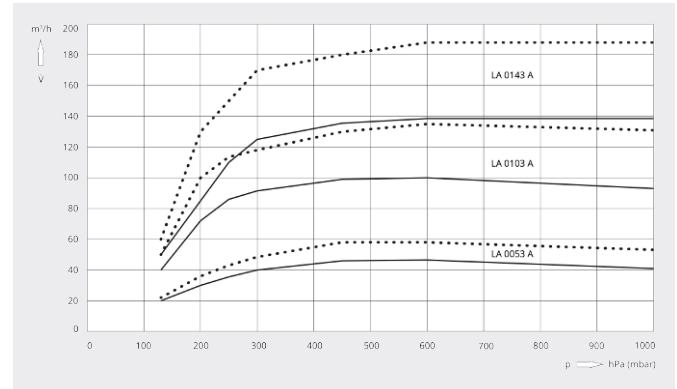
Dimensional drawing



Pumping speed

Air at 20°C. Tolerance: ± 10%

— 50 Hz ..... 60 Hz



	DOLPHIN LA 0053 A	DOLPHIN LA 0103 A	DOLPHIN LA 0143 A
<b>Nominal pumping speed</b>	50 / 60 m³/h (50 / 60 Hz)	100 / 135 m³/h (50 / 60 Hz)	140 / 190 m³/h (50 / 60 Hz)
<b>Ultimate pressure</b>	130 hPa (mbar) (50 / 60 Hz)	130 hPa (mbar) (50 / 60 Hz)	130 hPa (mbar) (50 / 60 Hz)
<b>Nominal motor rating</b>	1.5 / 2.2 kW (50 / 60 Hz)	4 kW (50 / 60 Hz)	4 / 5.5 kW (50 / 60 Hz)
<b>Nominal motor speed</b>	1450 / 1750 min <sup>-1</sup> (50 / 60 Hz)	1450 / 1750 min <sup>-1</sup> (50 / 60 Hz)	1450 / 1750 min <sup>-1</sup> (50 / 60 Hz)
<b>Noise level (ISO 2151)</b>	72 dB(A) (50 / 60 Hz)	72 dB(A) (50 / 60 Hz)	72 dB(A) (50 / 60 Hz)
<b>Weight approx.</b>	47 kg	52 kg	57 kg
<b>Dimensions (L x W x H)</b>	( 399 – 574 ) x 250 x 320 mm	( 439 – 614 ) x 250 x 320 mm	( 479 – 654 ) x 250 x 320 mm
<b>Gas inlet / outlet</b>	DN 40 PN 10 / DN 40 PN 10	DN 40 PN 10 / DN 40 PN 10	DN 40 PN 10 / DN 40 PN 10

## DO YOU WANT TO KNOW MORE?

Get in touch with us directly!  
[sales@busch.ie](mailto:sales@busch.ie) or +353 (0)1 832 13 30



CONTACT FORM



CALL NOW