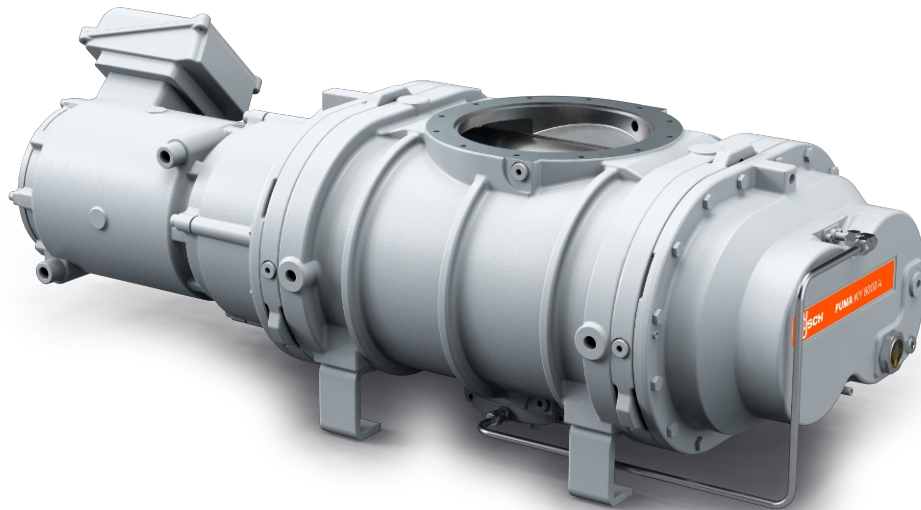


PUMA WY 8000 A

Vacuum booster



Reliable

Special lobe design to prevent powder and particle deposits, robust construction made of GGG40 material, leak-tight

High performance

Specially designed for harsh applications in the medium and high vacuum range, including semiconductor processes with powder and dust, excellent volumetric efficiency

Flexible

Reliable performance under varying operating conditions, boosts the performance of all types of backing pumps

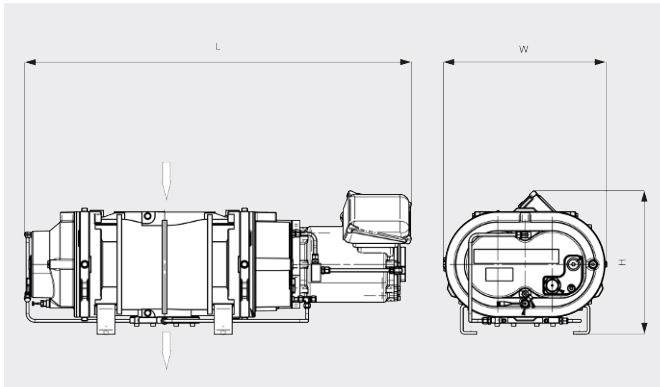
PUMA WY 8000 A

Vacuum booster



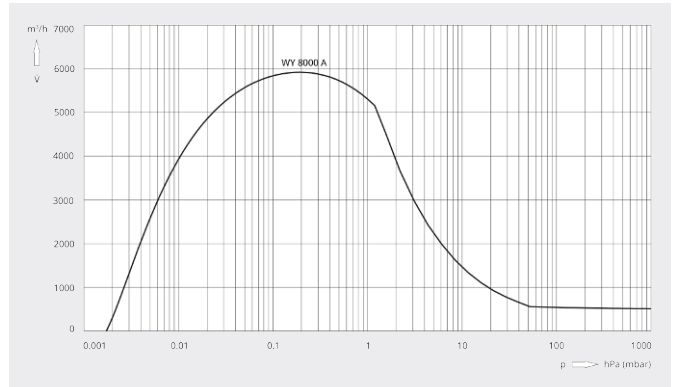
VACUUM SOLUTIONS

Dimensional drawing



Pumping speed

Air at 20°C. Tolerance: ± 10%



PUMA WY 8000 A	
Nominal pumping speed	8100 m³/h
Pumping speed	5920 m³/h *
Max. differential pressure	15 hPa (mbar)
Nominal motor rating	11 kW
Nominal motor speed	5400 min ⁻¹
Weight approx.	515 kg
Leakage rate	< 1 · 10 ⁻⁶ mbar · l/s
Dimensions (L x W x H)	1283 x 543 x 475 mm
Gas inlet / outlet	DN 250 ISO / DN 100 ISO

*Pumping speed with COBRA NS 0600 C as backing pump running at 50 / 60 Hz
Frequency converter is necessary

DO YOU WANT TO KNOW MORE?

Get in touch with us directly!
sales@busch.ie or +353 (0)1 832 13 30



CONTACT FORM



CALL NOW