

SAMOS SB 0310–0530 D0

Side channel blowers



VACUUM SOLUTIONS



Reliable

Robust construction, effective air cooling, long lifetime, nearly maintenance-free, dry and contact-free operating principle

Flexible

Vacuum or overpressure operation, horizontal and vertical installation, various design options and ATEX-certified versions available

Quiet

Very low noise level, fully enclosed unit, internal silencers

Accessories

- Vacuum relief valves
- Pressure relief valves
- Additional silencers
- Thermal protection (bimetal switch or PTC-thermistor)

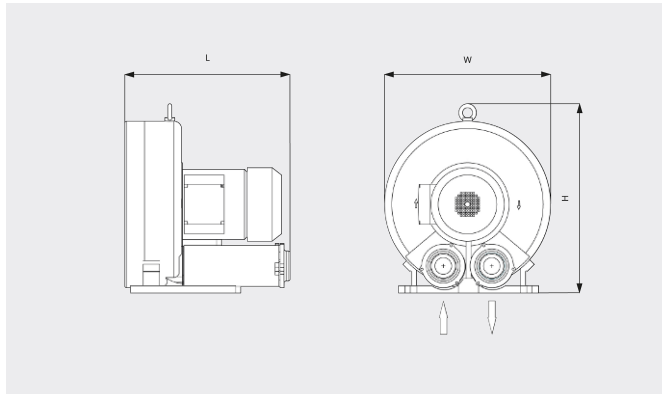
SAMOS SB 0310–0530 D0

Side channel blowers



VACUUM SOLUTIONS

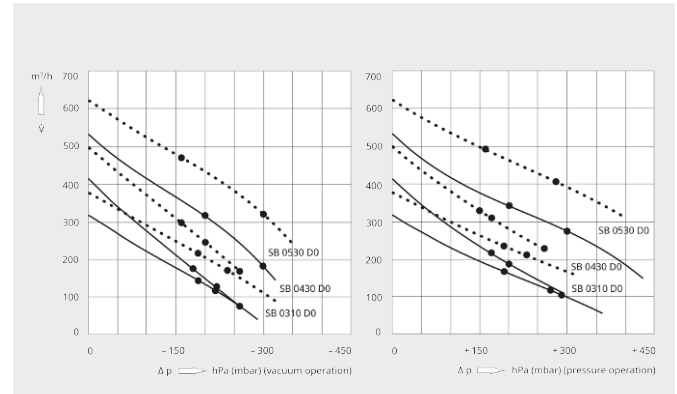
Dimensional drawing



Pumping speed/Volume flow

Air at 20°C. Tolerance: ± 10%

— 50 Hz 60 Hz



	SAMOS SB 0310 D0	SAMOS SB 0310 D0
Nominal pumping speed/volume flow	315 / 375 m ³ /h (50 / 60 Hz)	315 / 375 m ³ /h (50 / 60 Hz)
Max. differential pressure (vacuum version)	-190 hPa (mbar) (50 / 60 Hz)	-260 / -240 hPa (mbar) (50 / 60 Hz)
Max. differential pressure (overpressure version)	+190 hPa (mbar) (50 / 60 Hz)	+270 / +230 hPa (mbar) (50 / 60 Hz)
Nominal motor rating	2.2 / 2.5 kW (50 / 60 Hz)	3.0 / 3.4 kW (50 / 60 Hz)
Nominal motor speed	2850 / 3450 min ⁻¹ (50 / 60 Hz)	2850 / 3450 min ⁻¹ (50 / 60 Hz)
Noise level (ISO 3744)	69 / 72 dB(A) (50 / 60 Hz)	69 / 72 dB(A) (50 / 60 Hz)
Weight approx.	30 kg	35 kg
Dimensions (L x W x H)	411 x 382 x 384 mm	411 x 382 x 384 mm
Gas inlet / outlet	G 2" / G 2"	G 2" / G 2"

	SAMOS SB 0430 D0	SAMOS SB 0430 D0	SAMOS SB 0430 D0
Nominal pumping speed/volume flow	415 / 500 m ³ /h (50 / 60 Hz)	415 / 500 m ³ /h (50 / 60 Hz)	415 / 500 m ³ /h (50 / 60 Hz)
Max. differential pressure (vacuum version)	-180 / -160 hPa (mbar) (50 / 60 Hz)	-220 / -200 hPa (mbar) (50 / 60 Hz)	-260 hPa (mbar) (50 / 60 Hz)
Max. differential pressure (overpressure version)	+170 / +150 hPa (mbar) (50 / 60 Hz)	+200 / +170 hPa (mbar) (50 / 60 Hz)	+290 hPa (mbar) (50 / 60 Hz)
Nominal motor rating	2.2 / 2.5 kW (50 / 60 Hz)	3.0 / 3.4 kW (50 / 60 Hz)	4.0 / 4.6 kW (50 / 60 Hz)

SAMOS SB 0310–0530 D0

Side channel blowers



VACUUM SOLUTIONS

	SAMOS SB 0430 D0	SAMOS SB 0430 D0	SAMOS SB 0430 D0
Nominal motor speed	2850 / 3450 min ⁻¹ (50 / 60 Hz)	2850 / 3450 min ⁻¹ (50 / 60 Hz)	2850 / 3450 min ⁻¹ (50 / 60 Hz)
Noise level (ISO 3744)	70 / 73 dB(A) (50 / 60 Hz)	70 / 73 dB(A) (50 / 60 Hz)	70 / 73 dB(A) (50 / 60 Hz)
Weight approx.	32 kg	37 kg	43 kg
Dimensions (L x W x H)	440 x 381 x 420 mm	440 x 381 x 420 mm	440 x 381 x 420 mm
Gas inlet / outlet	G 2" / G 2"	G 2" / G 2"	G 2" / G 2"

	SAMOS SB 0530 D0	SAMOS SB 0530 D0
Nominal pumping speed/volume flow	530 / 620 m ³ /h (50 / 60 Hz)	530 / 620 m ³ /h (50 / 60 Hz)
Max. differential pressure (vacuum version)	-200 / -160 hPa (mbar) (50 / 60 Hz)	-300 hPa (mbar) (50 / 60 Hz)
Max. differential pressure (overpressure version)	+200 / +160 hPa (mbar) (50 / 60 Hz)	+300 / +280 hPa (mbar) (50 / 60 Hz)
Nominal motor rating	4.0 / 4.6 kW (50 / 60 Hz)	5.5 / 6.3 kW (50 / 60 Hz)
Nominal motor speed	2850 / 3450 min ⁻¹ (50 / 60 Hz)	2850 / 3450 min ⁻¹ (50 / 60 Hz)
Noise level (ISO 3744)	70 / 74 dB(A) (50 / 60 Hz)	70 / 74 dB(A) (50 / 60 Hz)
Weight approx.	117 kg	126 kg
Dimensions (L x W x H)	495 x 498 x 514 mm	495 x 498 x 514 mm
Gas inlet / outlet	G 2½" / G 2½"	G 2½" / G 2½"

DO YOU WANT TO KNOW MORE?

Get in touch with us directly!
sales@busch.ie or +353 (0)1 832 13 30



CONTACT FORM



CALL NOW